

Dell PowerEdge XE9680

Technical Guide

Notes, cautions, and warnings

 **NOTE:** A NOTE indicates important information that helps you make better use of your product.

 **CAUTION:** A CAUTION indicates either potential damage to hardware or loss of data and tells you how to avoid the problem.

 **WARNING:** A WARNING indicates a potential for property damage, personal injury, or death.

Chapter 1: System overview	5
Key workloads.....	5
New technologies.....	5
Chapter 2: System features	7
Chapter 3: Chassis views and features	10
Chassis views.....	10
Front view of the system.....	10
Rear view of the system.....	12
Inside the system.....	15
Chapter 4: Processor	18
Processor features	18
Supported processors.....	18
Chapter 5: Memory subsystem	20
Memory specifications.....	20
Chapter 6: Storage	22
Storage controller specifications.....	22
Drives.....	22
Internal storage configuration.....	22
Chapter 7: Networking	24
Overview.....	24
OCP 3.0 support.....	24
Supported OCP cards.....	24
OCP NIC 3.0 vs. rack Network Daughter Card comparisons.....	25
Chapter 8: PCIe subsystem	26
PCIe slot mechanical compatibility matrix.....	26
Chapter 9: Power, thermal, and acoustics	28
Power.....	28
Power Supply Units.....	29
Thermal.....	30
Thermal design.....	30
PowerEdge XE9680 acoustics.....	31
Chapter 10: Rack, rails, and cable management	34
Rails and cable management information.....	34

Chapter 11: Operating Systems and Virtualization.....	41
Supported operating systems.....	41
Chapter 12: Dell OpenManage Systems Management.....	42
Integrated Dell Remote Access Controller (iDRAC).....	42
Systems Management software support matrix.....	43
Chapter 13: Appendix A. Additional specifications.....	45
Chassis dimensions.....	45
System weight.....	46
NIC port specifications.....	47
Video specifications.....	47
USB ports specifications.....	48
PSU rating.....	48
Environmental specifications.....	48
Thermal restriction matrix.....	49
Chapter 14: Appendix B. Standards compliance.....	53
Chapter 15: Appendix C Additional resources.....	54
Chapter 16: Appendix D: Service and support.....	55
Why attach service contracts.....	55
ProSupport Infrastructure Suite	55
Specialty Support Services.....	57
ProDeploy Infrastructure Suite.....	58
Supplemental Deployment Services	61
Unique Deployment Scenarios.....	62
DAY 2 – Automation Services with Ansible.....	62
Dell Technologies Consulting Services.....	63

System overview

The Dell PowerEdge XE9680 is Dell's latest 2-socket, 6U air-cooled rack server that is designed to train most demanding ML/DL large models.

The system features:

- Two 5th Generation Intel® Xeon® Scalable Processor (up to 64C/350 W) or Two 4th Generation Intel® Xeon® Scalable Processor (up to 56C/350 W).
- Up to 32 DDR5 DIMM slots.
- Six high-performance cooling fans on the mid tray and ten high-performance cooling fans on the rear of the system (12 rear fans with Intel Gaudi3)
- Up to 10 PCIe Gen5 slots (maximum of 8 PCIe Gen5 slots available for the XE9680-Gaudi3 configuration due to thermal concerns) to support the latest Gen5 PCIe devices and networking, enabling flexible networking design.
- Up to eight U.2 SAS4/SATA SSDs (with fPERC12)/ NVMe drives (PSB direct) or up to 16 E3.S NVMe drives (PSB direct)

NOTE: The XE9680-Gaudi3 configuration supports only 8 x 2.5-inch NVMe SSD drives.

- Supports a range of powerful GPUs including NVIDIA HGX A100 8-GPU, SXM4, PCIe Gen4 or NVIDIA HGX H100/H200/H20 8-GPU, SXM5, PCIe Gen5 or AMD INSTINCT MI300X 8-GPU, OAM 2.0, PCIe Gen5 or Intel Gaudi3 8-GPU, OAM 2.0, PCIe Gen5, enhancing capabilities for AI, machine learning, and high-performance computing.

Topics:

- [Key workloads](#)
- [New technologies](#)

Key workloads

The versatile XE9680 is designed to train most demanding ML/DL large models including:

- Generative AI Training and Fine-Tuning
- Large natural language processing models, recommendation engines, speech recognition models, conversational AI, chatbots, and digital humans
- AI/ML/DL Training - especially large model training with large datasets
- HPC - Accelerate compute and simulation workloads

New technologies

Table 1. New technologies

Technology	Detailed Description
5th Generation Intel® Xeon® Scalable Processor	Core count: Up to 64 core processor
	UPI speed: Up to 4 x UPIs/socket @ 16 GT/s or 20 GT/s
	Maximum number of PCIe lanes per CPU: Integrated 80 PCIe 5.0 lanes @ 32 GT PCIe Gen5
	Maximum TDP: 350 W
5600 MT/s DDR5 Memory	Maximum 16 DIMM slots per processor, eight channels
	Supports up to 5600 MT/s (1 DPC) / 4400 MT/s (2 DPC)
4th Generation Intel® Xeon® Scalable Processor (Socket E)	Core count: Up to 56 core per processor
	UPI speed: Up to 4 x UPIs/socket @ 16 GT/s or 20 GT/s

Table 1. New technologies (continued)

Technology	Detailed Description
	Maximum number of PCIe lanes: Integrated 80 PCIe 5.0 lanes @ 32 GT/s PCIe Gen5 Maximum TDP: 350 W
4800 MT/s DDR5 Memory	Maximum 16 DIMM slots per processor, eight channels Supports up to 4800 MT/s (1 DPC) / 4400 MT/s (2 DPC)
Flex I/O	1 x LOM board, 1 GbE x 2 with BCM5720 LAN controller Rear I/O with: <ul style="list-style-type: none"> ● 1 GbE Dedicated Management Network Port ● USB 3.0 x1 ● USB 2.0 x1 ● VGA port OCP Mezz 3.0 (supported by x8 PCIe lanes) Front I/O with: <ul style="list-style-type: none"> ● USB 2.0 x1 ● Micro USB x1(optional)
CPLD 1-wire	Supports payload data of Front PERC, PSB Riser, BP, and Rear I/O to BOSS-N1 and iDRAC
Dedicated PERC	<ul style="list-style-type: none"> ● fPERC12 (x8, SAS4) ● fPERC12 (x8, SATA) <p>i NOTE: The XE9680-Gaudi3 configuration does not support PERC H965i or Software RAID.</p>
Power Supplies	86 mm dimension is the new PSU form factor design on a 16G 54V design <ul style="list-style-type: none"> ● Six Titanium 2800 W AC with 5+1 PSU redundancy or 3+3 FTR redundancy ● Six Titanium 3200 W AC with 5+1 PSU redundancy or 3+3 FTR redundancy <p>i NOTE: 3200W PSUs will only be available in the US & Canada.</p>

System features

The following table shows the features of the PowerEdge XE9680.

Table 2. Features


Features	PowerEdge XE9680
Processors	<ul style="list-style-type: none"> Two 5th Generation Intel Xeon Scalable processors with up to 64 cores or Two 4th Generation Intel Xeon Scalable processors with up to 56 cores
Memory	<p>DIMM Speed</p> <ul style="list-style-type: none"> For 5th Generation Intel Xeon Scalable processors <ul style="list-style-type: none"> Up to 5600 MT/s (1 DPC) Up to 4400 MT/s (2 DPC) For 4th Generation Intel Xeon Scalable processors <ul style="list-style-type: none"> Up to 4800 MT/s (1 DPC) Up to 4400 MT/s (2 DPC) <p>Memory Type</p> <ul style="list-style-type: none"> RDIMM <p>Memory module slots</p> <ul style="list-style-type: none"> 32 DDR5 DIMM slots Supports DDR5 registered DIMMs (RDIMMs) slots <p>Maximum RAM</p> <ul style="list-style-type: none"> RDIMM 4 TB
Storage Controllers	<ul style="list-style-type: none"> PERC12 (SAS4/SATA) Internal Boot: Boot Optimized Storage Subsystem (NVMe BOSS-N1): HWRAID 2 x M.2 SSDs <p>NOTE: The XE9680-Gaudi3 configuration does not support PERC H965i or Software RAID.</p>
Drive Bays	<p>Front bays:</p> <ul style="list-style-type: none"> 16 x E3.S EDSFF direct from PSB (x4 Gen5) 8 x U.2 SAS/SATA with fPERC 8 x U.2 NVME direct from PSB <p>NOTE: The XE9680-Gaudi3 configuration supports only 8 x 2.5-inch NVMe SSD drives.</p>
Power Supplies	<ul style="list-style-type: none"> 3200 W AC Titanium (available only in the US & Canada) 2800 W AC Titanium
Cooling Options	<ul style="list-style-type: none"> Air Cooling
Fans	<p>High performance (HPR) Gold fans</p> <p>Six HPR fans on mid tray and Ten HPR GPU fans on the rear of the system (twelve rear GPU fans with Intel Gaudi3)</p>
Dimension	<p>Height: 263.2 mm (10.36 inches)</p> <p>Width: 482.0 mm (18.97 inches)</p> <p>Depth: 1008.77 mm (39.71 inches) with bezel</p> <p>995 mm (39.17 inches) without bezel</p>
Form Factor	6U rack server

Table 2. Features (continued)

Features	PowerEdge XE9680	
Embedded Management	<ul style="list-style-type: none"> ● iDRAC9 ● iDRAC Direct ● iDRAC RESTful with Redfish ● iDRAC Service Manual 	
Bezel	Optional LCD bezel or security bezel	
OpenManage Software	<ul style="list-style-type: none"> ● CloudIQ for PowerEdge plug-in ● OpenManage Enterprise ● OpenManage Power Manager plug-in ● OpenManage Service plug-in ● OpenManage Update Manager plug-in 	
Mobility	Not supported	
OpenManage Integrations	<ul style="list-style-type: none"> ● BMC TrueSight ● OpenManage Integration with ServiceNow ● Red Hat Ansible Modules ● Terraform Providers 	
Security	<ul style="list-style-type: none"> ● Cryptographically signed firmware ● Data at Rest Encryption (SEDs with local or external key mgmt) ● Secure Boot ● Secured Component Verification (Hardware integrity check) ● Secure Erase ● Silicon Root of Trust ● System Lockdown (requires iDRAC9 Enterprise or Datacenter) ● TPM 2.0 FIPS, CC-TCG certified, TPM 2.0 China 	
Embedded NIC	2 x 1 GbE LOM	
Embedded OSFP	6 x 800 Gb (available only with Intel Gaudi3)	
Networking Options	OCP x8 Mezz 3.0	
GPU Options	<ul style="list-style-type: none"> ● 8x NVIDIA HGX H100 80GB 700W SXM5 GPUs or ● 8x NVIDIA HGX H200 141GB 700W SXM5 GPUs or ● 8x NVIDIA HGX H20 96GB 500W SXM5 GPUs or ● 8x NVIDIA HGX A100 80GB 500W SXM4 GPUs or ● 8x AMD INSTINCT MI300X 192GB 750W OAM GPUs or ● 8x Intel Gaudi3 128GB 900W OAM GPUs 	
Ports	Front Ports <ul style="list-style-type: none"> ● 1 x USB 2.0 ● 1 x iDRAC Direct (Micro-AB USB) port ● 1 x VGA 	Rear Ports <ul style="list-style-type: none"> ● 1 x USB 2.0 ● 1 x iDRAC Direct Ethernet port ● 1 x USB 3.0 ● 1 x VGA
PCIe	10 Gen5 PCIe slots <ul style="list-style-type: none"> ● 8 x16 Gen5 (x16 PCIe) Full-height, Half-length ● 2 x16 Gen5 (x16 PCIe) Full-height, Half-length for SmartNIC/DPU <p>NOTE: 8 PCIe Gen5 slots with Intel Gaudi3. Slots 33 and 38 are unavailable due to thermal concerns.</p>	
Operating System and Hypervisors	<ul style="list-style-type: none"> ● Canonical Ubuntu Server LTS <ul style="list-style-type: none"> ○ Supported GPUs: A100, H100, H200, H20, MI300X, Gaudi3 ● Red Hat Enterprise Linux <ul style="list-style-type: none"> ○ Supported GPUs: A100, H100, H200, H20, MI300X, Gaudi3 ● SUSE Linux Enterprise Server 	

Table 2. Features (continued)

Features	PowerEdge XE9680
	<ul style="list-style-type: none">○ Supported GPUs: A100, H100, H200, H20, MI300X, Gaudi3● VMware ESXi○ Supported GPUs: H100 <p>For specifications and interoperability details, see Dell Enterprise Operating Systems on Servers, Storage, and Networking page at Dell.com/OSsupport.</p>

 **NOTE:** The PowerEdge XE9680-MI300X configuration does not support Canonical Ubuntu Server LTS version 24.04.

Chassis views and features

Topics:

- Chassis views

Chassis views

Front view of the system

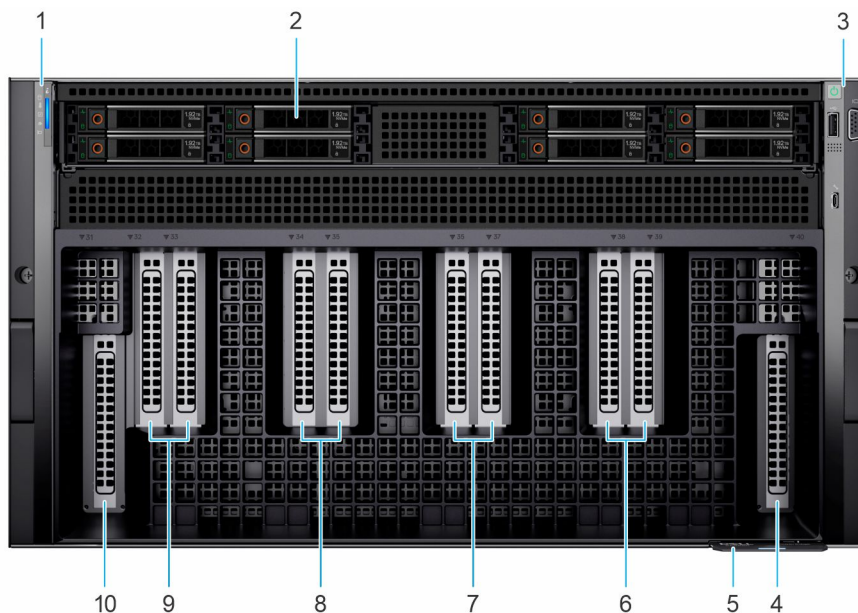


Figure 1. 8 x U.2 NVME or 2.5-inch SAS4/SATA SSD Drives

Table 3. Features available on the front of the 8 x U.2 NVME or 2.5-inch system

Item	Ports, panels, and slots	Icon	Description
1	Left control panel	N/A	Contains the system health, system ID, and the status LED indicator.
2	Drives	N/A	Enables you to install drives that are supported on your system.
3	Right control panel	N/A	Contains the power button, USB port, iDRAC Direct (Micro-AB USB) port.
4	PCIe (slot 40)	N/A	The expansion card riser enables you to connect PCI Express expansion cards. For more information, see the Expansion card installation guidelines section.
5	Information tag	N/A	The Express Service Tag is a slide-out label panel that contains system information such as Service Tag, NIC, MAC address, and so on. If you have opted for the secure default access to iDRAC, the Information tag will also contain the iDRAC secure default password.

Table 3. Features available on the front of the 8 x U.2 NVME or 2.5-inch system (continued)

Item	Ports, panels, and slots	Icon	Description
6	PCIe (slot 38 and 39)	N/A	The expansion card riser enables you to connect PCI Express expansion cards.For more information , see the Expansion card installation guidelines section.
7	PCIe (slot 36 and 37)	N/A	The expansion card riser enables you to connect PCI Express expansion cards.For more information , see the Expansion card installation guidelines section.
8	PCIe (slot 34 and 35)	N/A	The expansion card riser enables you to connect PCI Express expansion cards.For more information , see the Expansion card installation guidelines section.
9	PCIe (slot 32 and 33)	N/A	The expansion card riser enables you to connect PCI Express expansion cards.For more information , see the Expansion card installation guidelines section.
10	PCIe (slot 31)	N/A	The expansion card riser enables you to connect PCI Express expansion cards.For more information , see the Expansion card installation guidelines section.

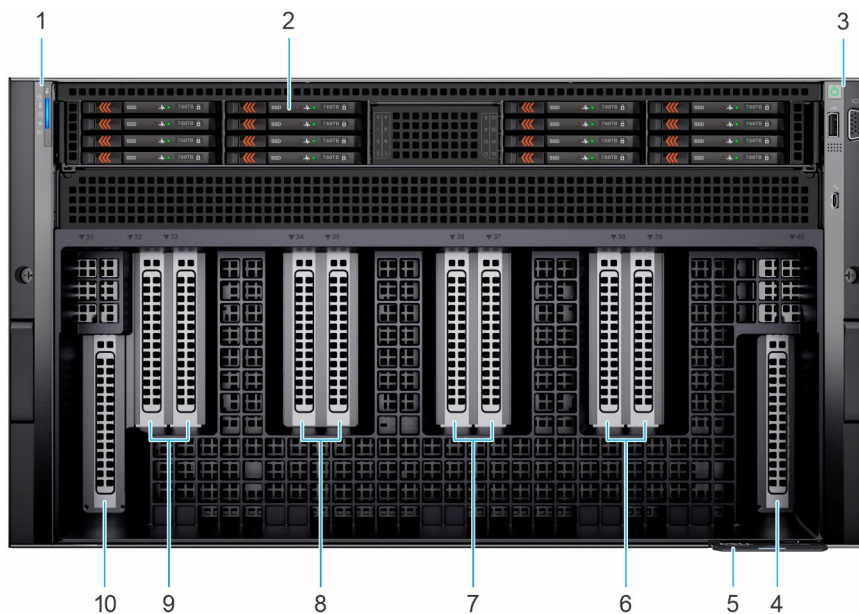


Figure 2. 16 x E3.S Thin NVME drives

Table 4. Features available on the front of the 16 x E3.S Thin NVME system

Item	Ports, panels, and slots	Icon	Description
1	Left control panel	N/A	Contains the system health, system ID, and the status LED indicator.
2	Drives	N/A	Enables you to install drives that are supported on your system.
3	Right control panel	N/A	Contains the power button, USB port, iDRAC Direct (Micro-AB USB) port.
4	PCIe (slot 40)	N/A	The expansion card riser enables you to connect PCI Express expansion cards.For more information , see the Expansion card installation guidelines section.
5	Information tag	N/A	The Express Service Tag is a slide-out label panel that contains system information such as Service Tag, NIC, MAC address, and so

Table 4. Features available on the front of the 16 x E3.S Thin NVME system (continued)

Item	Ports, panels, and slots	Icon	Description
			on. If you have opted for the secure default access to iDRAC, the Information tag will also contain the iDRAC secure default password.
6	PCIe (slot 38 and 39)	N/A	The expansion card riser enables you to connect PCI Express expansion cards.For more information , see the Expansion card installation guidelines section.
7	PCIe (slot 36 and 37)	N/A	The expansion card riser enables you to connect PCI Express expansion cards.For more information , see the Expansion card installation guidelines section.
8	PCIe (slot 34 and 35)	N/A	The expansion card riser enables you to connect PCI Express expansion cards.For more information , see the Expansion card installation guidelines section.
9	PCIe (slot 32 and 33)	N/A	The expansion card riser enables you to connect PCI Express expansion cards.For more information , see the Expansion card installation guidelines section.
10	PCIe (slot 31)	N/A	The expansion card riser enables you to connect PCI Express expansion cards.For more information , see the Expansion card installation guidelines section.

Rear view of the system

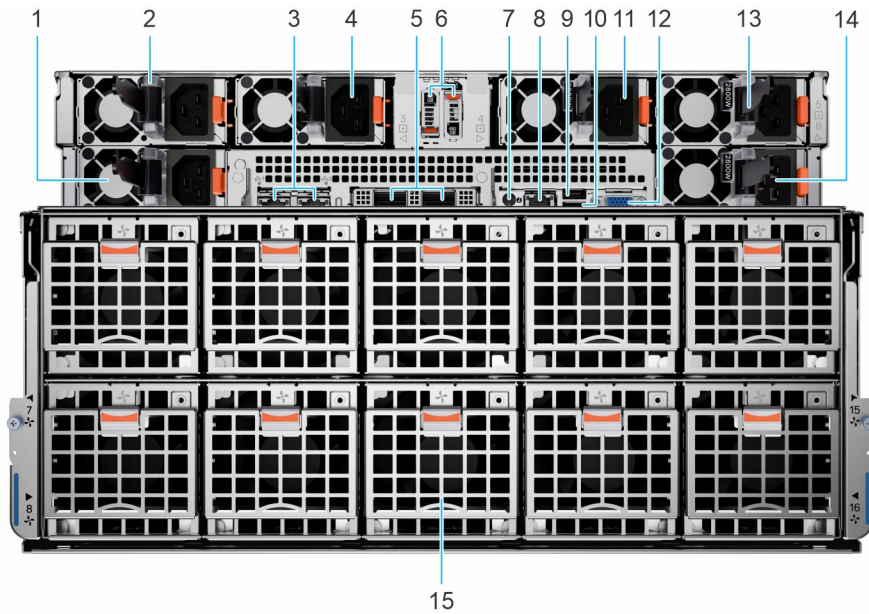







Figure 3. XE9680 chassis rear view

Table 5. Rear view of the system

Item	Ports, panels, or slots	Icon	Description
1	Power supply unit (PSU) 2	N/A	PSU2 of the system
2	Power supply unit (PSU) 1	N/A	PSU1 of the system
3	NIC Ports		The NIC ports are embedded on the LOM card that is connected to the system board.
4	Power supply unit (PSU) 3	N/A	PSU3 of the system

Table 5. Rear view of the system (continued)

Item	Ports, panels, or slots	Icon	Description
5	OCP NIC card	N/A	The OCP NIC card supports OCP 3.0. The NIC ports are integrated on the OCP card which is connected to the system board.
6	BOSS-N1	N/A	There are two M.2 connectors that are populated on the board and support two NVMe drives for boot.
7	System Identification (ID) button		<p>The System Identification (ID) button is available on the front and back of the system. Press the button to identify a system in a rack by turning on the system ID button. You can also use the system ID button to reset iDRAC and to access BIOS using the step through mode. When pressed, the system ID LED in the back panel blinks until either the front or rear button is pressed again. Press the button to toggle between on or off mode.</p> <p>NOTE: If the server stops responding during POST, press and hold the System ID button for more than five seconds to enter the BIOS progress mode</p> <p>NOTE: To reset the iDRAC (if not disabled on the iDRAC setup page by pressing F2 during system boot), press and hold the System ID button for more than 15 seconds.</p>
8	Dedicated iDRAC9 Ethernet port		Enables you to remotely access iDRAC. For more information, see the Integrated <i>Dell Remote Access Controller User's Guide</i> at PowerEdge Manuals .
9	USB 2.0 port		The USB port is 4-pin, 2.0-compliant. This port enables you to connect USB devices to the system.
10	USB 3.0 port		The USB port is 9-pin and 3.0-compliant. This port enables you to connect USB devices to the system.
11	Power supply unit (PSU) 4	N/A	PSU4 of the system
12	VGA port		Enables you to connect a display device to the system.
13	Power supply unit (PSU) 5	N/A	PSU5 of the system
14	Power supply unit (PSU) 6	N/A	PSU6 of the system
15	Fan module unit	N/A	Fans for GPU and PCIe card cooling

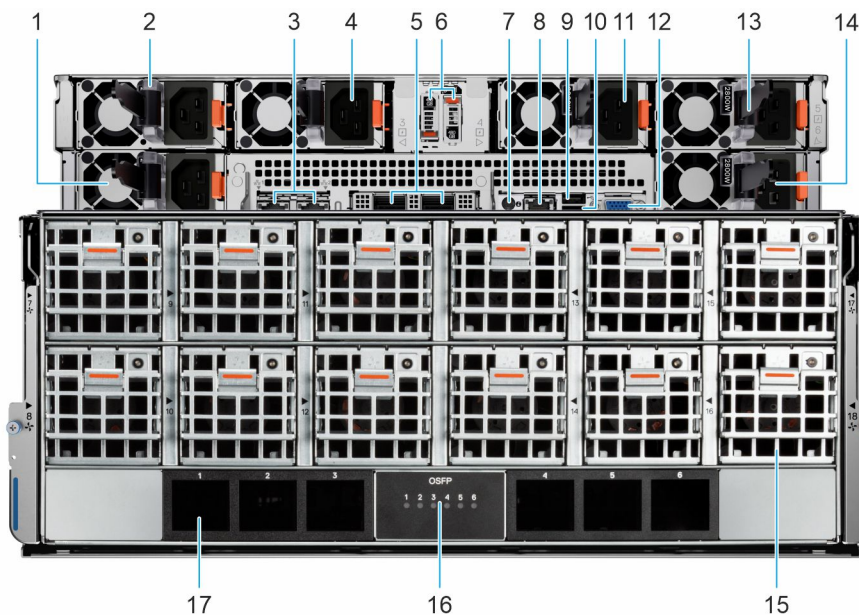








Figure 4. XE9680 chassis rear view with Intel Gaudi3 GPUs

Table 6. Rear view of the system with Intel Gaudi3 GPUs

Item	Ports, panels, or slots	Icon	Description
1	Power supply unit (PSU) 2	N/A	PSU2 of the system
2	Power supply unit (PSU) 1	N/A	PSU1 of the system
3	NIC Ports		The NIC ports are embedded on the LOM card that is connected to the system board.
4	Power supply unit (PSU) 3	N/A	PSU3 of the system
5	OCP NIC card	N/A	The OCP NIC card supports OCP 3.0. The NIC ports are integrated on the OCP card which is connected to the system board.
6	BOSS-N1	N/A	There are two M.2 connectors that are populated on the board and support two NVMe drives for boot.
7	System Identification (ID) button		<p>The System Identification (ID) button is available on the front and back of the system. Press the button to identify a system in a rack by turning on the system ID button. You can also use the system ID button to reset iDRAC and to access BIOS using the step through mode. When pressed, the system ID LED in the back panel blinks until either the front or rear button is pressed again. Press the button to toggle between on or off mode.</p> <p>NOTE: If the server stops responding during POST, press and hold the System ID button for more than five seconds to enter the BIOS progress mode</p> <p>NOTE: To reset the iDRAC (if not disabled on the iDRAC setup page by pressing F2 during system boot), press and hold the System ID button for more than 15 seconds.</p>
8	Dedicated iDRAC9 Ethernet port		Enables you to remotely access iDRAC. For more information, see the Integrated <i>Dell Remote Access Controller User's Guide</i> at PowerEdge Manuals .
9	USB 2.0 port		The USB port is 4-pin, 2.0-compliant. This port enables you to connect USB devices to the system.
10	USB 3.0 port		The USB port is 9-pin and 3.0-compliant. This port enables you to connect USB devices to the system.
11	Power supply unit (PSU) 4	N/A	PSU4 of the system
12	VGA port		Enables you to connect a display device to the system.
13	Power supply unit (PSU) 5	N/A	PSU5 of the system
14	Power supply unit (PSU) 6	N/A	PSU6 of the system
15	Fan module unit	N/A	Fans for GPU and PCIe card cooling
16	OSFP LED indicator	N/A	LEDs for OSFP ports.
17	OSFP Ports	N/A	<p>The OSFP ports are embedded on the Intel Gaudi3 GPU Baseboard.</p> <p>NOTE: Only use certified Optical Fiber Transceiver Class 1 Laser Products.</p>

Inside the system

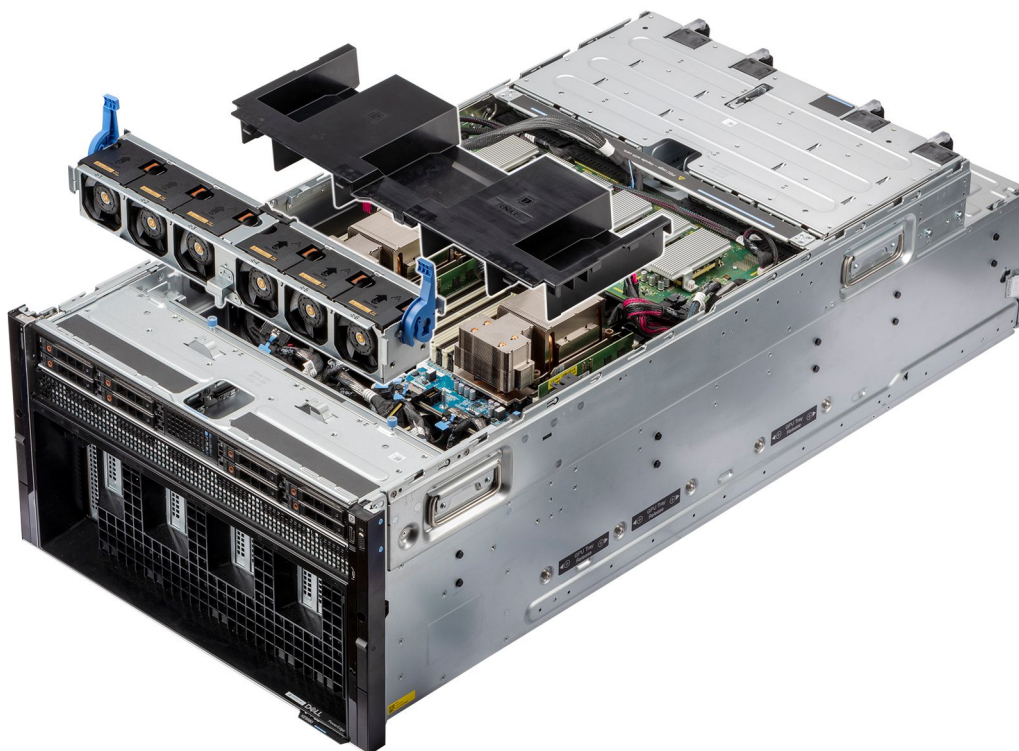


Figure 5. XE9680 inside the system

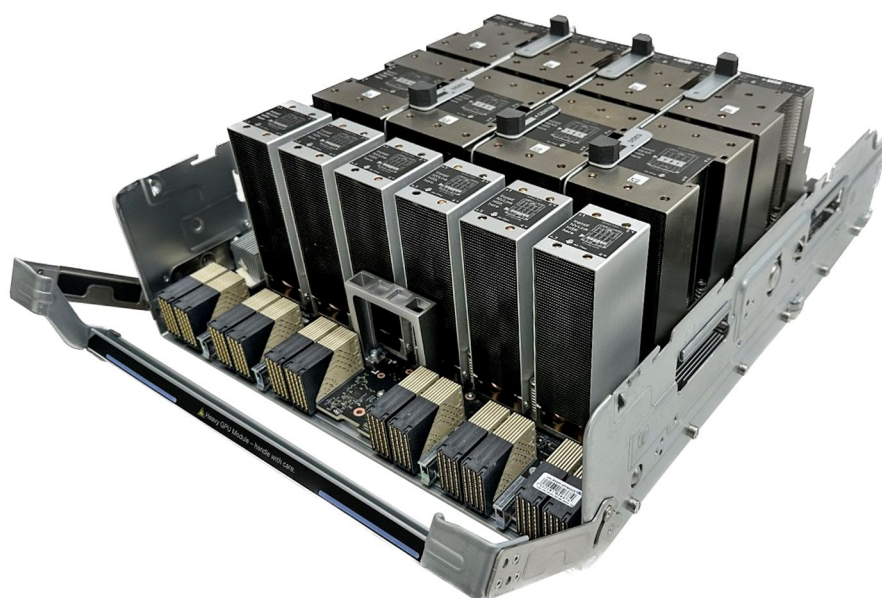


Figure 6. GPU A100 Inside view

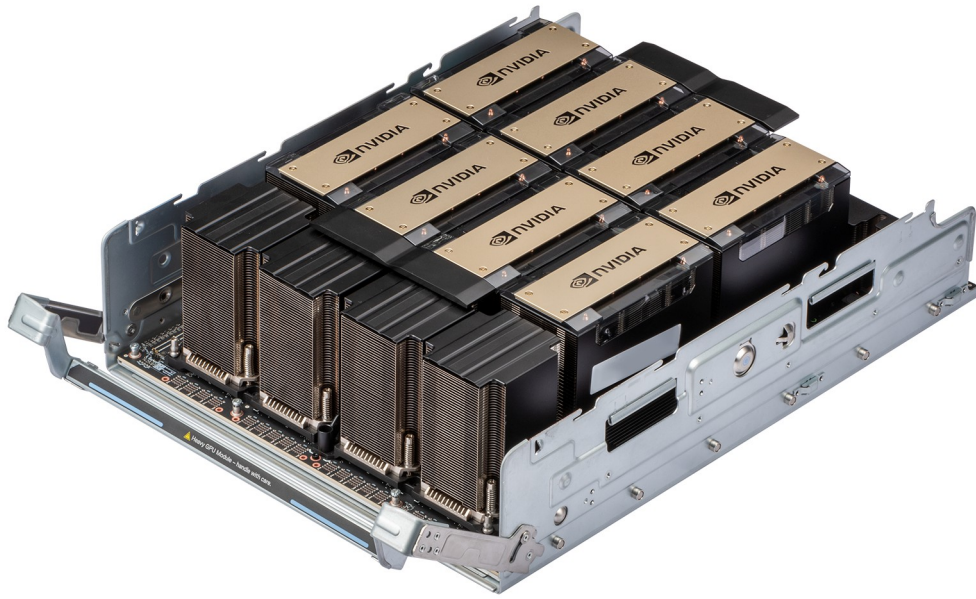


Figure 7. GPU H100/H200/H20 Inside view

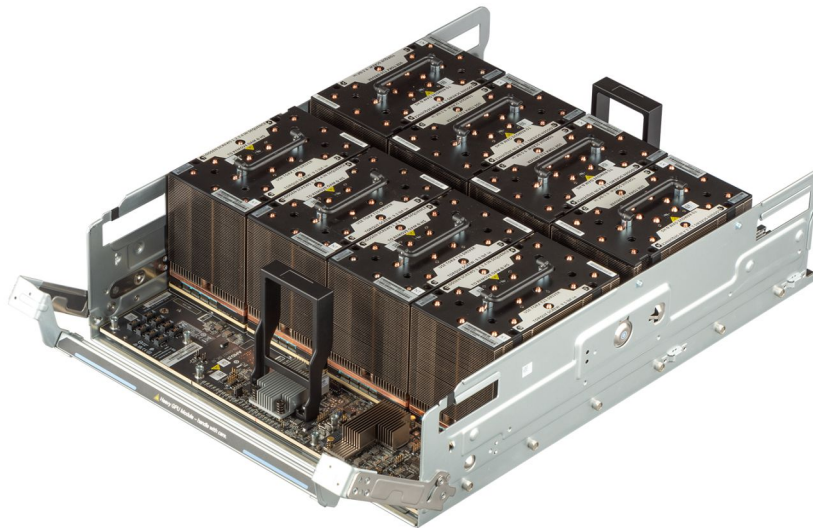
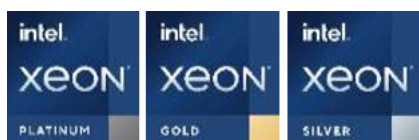


Figure 8. GPU MI300X Inside view



Figure 9. GPU Gaudi3 Inside view

Processor



Topics:

- [Processor features](#)

Processor features

The 4th Generation Intel® Xeon® Processors stack is the next generation data center processor offering with significant performance increases, integrated acceleration, and next generation memory and I/O. Sapphire Rapids accelerate customer usages with unique workload optimizations.

The following lists the features and functions that are in the 4th Generation Intel® Xeon® Scalable Processor offering:

- Faster UPI with up to four Intel Ultra Path Interconnect (Intel UPI) at up to 16 GT/s, increasing multisocket bandwidth
- More, faster I/O with PCI Express 5 and up to 80 lanes (per socket)
- Enhanced Memory Performance with DDR5 support and memory speed up to 4800 MT/s in one DIMM per channel (1DPC) and 4400 MT/s in two DIMM per channel (2DPC)
- New built-in accelerators for data analytics, networking, storage, crypto, and data compression

The 5th Generation Intel® Xeon® Scalable Processor stack is the next generation data center processor offering improved performance, standard increased memory speeds, expanded UPI speeds and enhanced security.

The following lists the features and functions that are in the 5th Generation Intel® Xeon® Scalable Processor offering:

- Increased core counts with up to 64 cores
- Enhanced memory performance with DDR5 and memory speed up to 5600 MT/s in one DIMM per channel (1DPC) and up to 4400 MT/s in two DIMM per channel (2DPC), 24 Gb and 16 Gb DRAM
- Faster UPI with up to four Intel Ultra Path Interconnect (Intel® UPI) at up to 20 GT/s, increasing multi-socket bandwidth
- Enhanced security for virtualized environments with Intel Trust Domain Extensions (Intel® TDX) for confidential computing

Supported processors

The following table shows the Intel Sapphire Rapids(4th Generation Intel® Xeon® Scalable Processors) and Intel Emerald Rapids(5th Generation Intel® Xeon® Scalable Processors) SKUs that are supported on the XE9680.

Table 7. 4th Generation Intel® Xeon® Scalable Processors for XE9680

Processor	Clock Speed (GHz)	Cache (M)	UPI (GT/s)	Cores	Threads	Turbo	Memory Speed (MT/s)	Memory Capacity	TDP
8480+	2	105	16	56	112	Turbo	4800	6 TB	350 W
8470	2	98	16	52	104	Turbo	4800	6 TB	350 W
8468	2.1	90	16	48	96	Turbo	4800	6 TB	350 W
8462Y+	2.8	60	16	32	64	Turbo	4800	6 TB	300 W
8460Y+	2	75	16	40	80	Turbo	4800	6 TB	300 W
8452Y	2	67.5	16	36	72	Turbo	4800	6 TB	300 W

Table 7. 4th Generation Intel® Xeon® Scalable Processors for XE9680 (continued)

Processor	Clock Speed (GHz)	Cache (M)	UPI (GT/s)	Cores	Threads	Turbo	Memory Speed (MT/s)	Memory Capacity	TDP
6448Y	2.2	60	16	32	64	Turbo	4800	6 TB	225 W
6442Y	2.6	45	16	24	48	Turbo	4800	6 TB	225 W

Table 8. 5th Generation Intel® Xeon® Scalable Processors for XE9680

Processor	Clock Speed (GHz)	Cache (M)	UPI (GT/s)	Cores	Threads	Turbo	Memory Speed (MT/s)	Memory Capacity	TDP
8592+	1.9	320	20	64	128	Turbo	5600	6 TB	350 W
8580	2.0	300	20	60	120	Turbo	5600	6 TB	350 W
8568Y+	2.3	300	20	48	96	Turbo	5600	6 TB	350 W
8562Y+	2.8	60	20	32	64	Turbo	5600	6 TB	300 W
6548Y+	2.5	60	20	32	64	Turbo	5200	6 TB	250 W
6542Y	2.9	60	20	24	48	Turbo	5200	6 TB	250 W

Memory subsystem

Topics:

- [Memory specifications](#)

Memory specifications

The PowerEdge XE9680 system supports the following memory specifications for optimized operation.

Table 9. Memory specifications

DIMM type	DIMM rank	DIMM capacity	Dual processors	
			Minimum system capacity	Maximum system capacity
RDIMM	Dual rank	32 GB	Not Supported	1 TB
	Dual rank	64 GB	1 TB	2 TB
	Dual rank	96 GB	1.5 TB	3 TB
	Quad rank	128 GB	2 TB	4 TB

NOTE: The PowerEdge XE9680 with MI300X GPUs supports memory capacities of 2 TB and above. Configurations with 1 TB memory are not supported.

Table 10. Minimum System Memory Requirements

8xGPU	A100/H100		H200		H20		MI300X		Gaudi 3	
	16pcs	32pcs	16pcs	32pcs	16pcs	32pcs	16pcs	32pcs	16pcs	32pcs
32 GB	Not Supported	Supported	Not Supported	Supported	Not Supported	Supported	Not Supported	Not Supported	Not Supported	Not Supported
64 GB	Supported	Supported	Supported	Supported	Supported	Supported	Not Supported	Supported	Not Supported	Supported
96 GB	Supported	Supported	Supported	Supported	Supported	Supported	Not Supported	Supported	Not Supported	Supported
128 GB	Supported	Supported	Supported	Supported	Supported	Supported	Supported	Supported	Supported	Supported

Table 11. Memory module sockets

Memory module sockets	CPUs	Speed	GPUs
32, 288-pin	5th Generation Intel® Xeon® Scalable Processors	5600 MT/s 1DIMM per channel, 4400 MT/s 2DIMMs per channel	A100/H100/H200/H20
			MI300X
			Gaudi 3

Table 11. Memory module sockets (continued)

Memory module sockets	CPUs	Speed	GPUs
	4th Generation Intel® Xeon® Scalable Processors	4800 MT/s 1DIMM per channel, 4400 MT/s 2DIMMs per channel	A100/H100/H200/H20 MI300X Gaudi 3

Storage

Topics:

- [Storage controller specifications](#)
- [Drives](#)
- [Internal storage configuration](#)

Storage controller specifications

The PowerEdge XE9680 system supports the following controller cards:

Table 12. Storage controller cards

Supported storage controller cards
Internal controllers <ul style="list-style-type: none"> • PERC H965i
Internal Boot <ul style="list-style-type: none"> • Boot Optimized Storage Subsystem (NVMe BOSS-N1): HWRAID 1, 2 x M.2 SSDs
Software RAID <ul style="list-style-type: none"> • S160 NVMe

NOTE: The PowerEdge XE9680 does not support PERC H965i and Software RAID configurations with Gaudi3 GPUs.

Drives

The PowerEdge XE9680 system supports:

- 8 x 2.5-inch hot-swappable NVMe SSD drives
- 8 x 2.5-inch hot-swappable SAS/SATA SSD drives
- 16 x E3.S hot-swappable EDSFF direct drives

NOTE: The PowerEdge XE9680 with Gaudi3 GPUs supports only 8 x 2.5-inch hot-swappable NVMe SSD drives .

Internal storage configuration

Table 13. Internal Storage Configuration Matrix [NVIDIA GPUs]

Supported Options	Total HDD/SSD (not BOSS)	NVMe	1st Front Storage	2nd Front Storage	3rd Front Storage	Rear Storage	PERC Qty	Storage Controller (s)	CPU Qty
C01	16	16 / 0	8 x E3.S NVMe direct attached (S160)	8x E3.S NVMe direct attached (S160)	N/A	N/A	0	Software RAID S160	2 CPU

Table 13. Internal Storage Configuration Matrix [NVIDIA GPUs] (continued)

Supported Options	Total HDD/SSD (not BOSS)	NVMe	1st Front Storage	2nd Front Storage	3rd Front Storage	Rear Storage	PERC Qty	Storage Controller (s)	CPU Qty
C02	8	0 / 8	8 x 2.5-inch SAS/SATA Raid	N/A	N/A	N/A	1	fPERC H965i	2 CPU
C03	8	8 / 0	8 x 2.5-inch NVMe direct attached (S160)	N/A	N/A	N/A	0	Software RAID S160	2 CPU

Networking

Topics:

- [Overview](#)
- [OCP 3.0 support](#)

Overview

PowerEdge offers a wide variety of options to get information moving to and from our servers. Industry best technologies are chosen, and systems management features are added by our partners to firmware to tie in with iDRAC. These adapters are rigorously validated for worry-free, fully supported use in Dell servers.

OCP 3.0 support

Table 14. OCP 3.0 feature list

Feature	OCP 3.0
Form factor	SFF
PCIe Gen	Gen4
Max PCIe width	x8
Max no.of ports	4
Port type	BT/SFP/SFP+/SFP28
Max port speed	25 GbE
NC-SI	Yes
SNAPI	Yes
WoL	Yes
Power consumption	35 W

Supported OCP cards

OCP Cards

Table 15. Supported OCP cards

Form factor	Vendor	Port type	Port speed	Port count
OCP 3.0	Intel	SFP28	25 GbE	2
	Broadcom	SFP28	25 GbE	4
	Intel	BT	10 GbE	4
	Broadcom	BT	10 GbE	4

Table 15. Supported OCP cards (continued)

Form factor	Vendor	Port type	Port speed	Port count
	Broadcom	SFP28	25 GbE	2
	Intel	SFP28	25 GbE	4
	Intel	SFP28	25 GbE	2
	Intel	SFP28	25 GbE	4
	Intel	SFP28	10 GbE	4

OCP NIC 3.0 vs. rack Network Daughter Card comparisons

Table 16. OCP 3.0, 2.0, and rNDC NIC comparison

Form Factor	Dell rNDC	OCP 2.0 (LOM Mezz)	OCP 3.0	Notes
PCIe Gen	Gen 3	Gen 3	Gen 4	Supported OCP3 are SFF (small form factor)
Max PCIe Lanes	x8	Up to x16	Up to x16	See server slot priority matrix
Shared LOM	Yes	Yes	Yes	This is iDRAC port redirect
Aux Power	Yes	Yes	Yes	Used for Shared LOM

PCIe subsystem

Topics:

- [PCIe slot mechanical compatibility matrix](#)

PCIe slot mechanical compatibility matrix

The PowerEdge XE9680 system supports up to eight PCI express (PCIe) Gen 5 expansion cards installed on PCIe Switch Board (PSB), and two PCI express (PCIe) Gen 5 expansion cards installed on PCIe Base Board (PBB).

NOTE: Slots 31 and 40 are present on PCIe Base Board and can be used to install NICs/high power consumption SmartNIC/DPUs.

Table 17. PCIe Riser Configurations

Config No.	Riser configuration	No. of Processors	PERC type supported	Rear storage possible
2	RS1+RS2+RS3+RS4	2	With or without Front PERC	No

Table 18. Expansion card slots

Expansion card riser	PCIe slot	Processor Connection	PCIe slot height	PCIe slot length	PCIe slot width
Riser 4 (RS4)	32	Processor 2	Full height	Half length	x16
	33	Processor 2	Full height	Half length	x16
Riser 3 (RS3)	34	Processor 2	Full height	Half length	x16
	35	Processor 2	Full height	Half length	x16
Riser 2 (RS2)	36	Processor 1	Full height	Half length	x16
	37	Processor 1	Full height	Half length	x16
Riser 1 (RS1)	38	Processor 1	Full height	Half length	x16
	39	Processor 1	Full height	Half length	x16

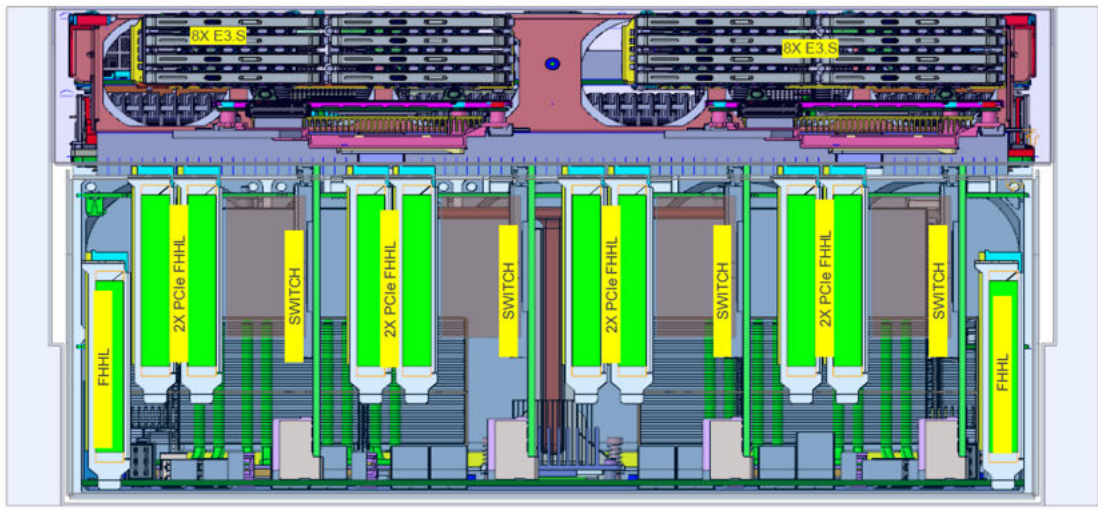
NOTE: PowerEdge XE9680 system with Gaudi3 GPUs supports 8 PCIe slots, as slots 33 and 38 are blocked to improve airflow and address thermal concerns.

Table 19. NIC/SmartNIC/DPU slots

PCIe slot	Processor Connection	PCIe slot height	PCIe slot length	PCIe slot width
31	Processor 2	Full height	Half length	x16
40	Processor 1	Full height	Half length	x16

NOTE: SmartNIC/DPUs with high power consumption (> 75 W), should be installed in slots 31 and 40. SmartNIC/DPUs with normal power consumption (<75 W), can also be installed in slots 32-39.

NOTE: PowerEdge XE9680 system with MI300X GPUs does not support SmartNIC/DPUs.



Slot numbering: 31 32 33 34 35 36 37 38 39 40

Figure 10. Slot numbering

Power, thermal, and acoustics

PowerEdge servers have an extensive collection of sensors that automatically track thermal activity, which helps regulate temperature thereby reducing server noise and power consumption. The table below lists the tools and technologies Dell offers to lower power consumption and increase energy efficiency.

Topics:

- [Power](#)
- [Thermal](#)
- [PowerEdge XE9680 acoustics](#)

Power

Table 20. Power tools and technologies

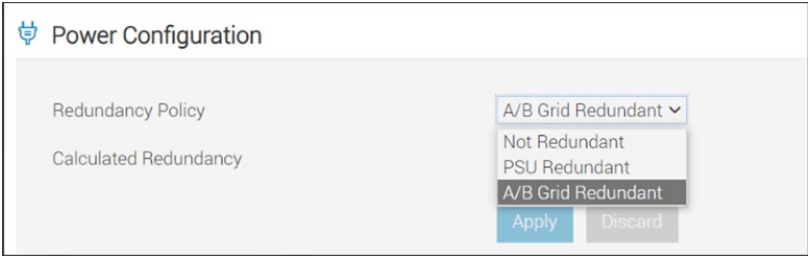
Feature	Description
Power Supply Units(PSU) portfolio	Dell's PSU portfolio includes intelligent features such as dynamically optimizing efficiency while maintaining availability and redundancy. Find additional information in the Power supply units section.
PSU redundancy options	<ul style="list-style-type: none"> • Not Redundant (5+1) FR (System can get full performance) • PSU Redundant (3+3) FTR (System throttles when more than one PSU is down) • A/B Grid Redundant (Not supported in power configuration of iDRAC GUI)  <p>Figure 11. PSU redundancy options</p>
Tools for right sizing	Enterprise Infrastructure Planning Tool (EIPT) is a tool that can help you determine the most efficient configuration possible. With Dell's EIPT, you can calculate the power consumption of your hardware, power infrastructure, and storage at a given workload. Learn more at Enterprise Infrastructure Planning Tool .
Industry Compliance	Dell's servers are compliant with all relevant industry certifications and guide lines, including 80 PLUS.
Power monitoring accuracy	PSU power monitoring improvements include: <ul style="list-style-type: none"> • Dell's power monitoring accuracy is currently 1%, whereas the industry standard is 5%. • More accurate reporting of power • Better performance under a power cap
Power capping	Use Dell's systems management to set the power cap limit for your systems to limit the output of a PSU and reduce system power consumption. Dell is the first hardware vendor to leverage Intel Node Manager for circuit-breaker fast capping.

Table 20. Power tools and technologies (continued)

Feature	Description
Systems Management	iDRAC Enterprise and Datacenter provides server-level management that monitors, reports and controls power consumption at the processor, memory and system level. Dell OpenManage Power Center delivers group power management at the rack, row, and data center level for servers, power distribution units, and uninterruptible power supplies.
Active power management	Intel Node Manager is an embedded technology that provides individual server-level power reporting and power limiting functionality. Dell offers a complete power management solution comprised of Intel Node Manager accessed through Dell iDRAC9 Datacenter and OpenManage Power Center that allows policy-based management of power and thermal at the individual server, rack, and data center level. Hot spare reduces power consumption of redundant power supplies. Thermal control off a speed optimizes the thermal settings for your environment to reduce fan consumption and lower system power consumption. Idle power enables Dell servers to run as efficiently when idle as when at full workload.
Fresh Air cooling	Refer to ASHRAE A3/A4 Thermal Restriction.
Rack infrastructure	Dell offers some of the industry's highest-efficiency power infrastructure solutions, including: <ul style="list-style-type: none"> • Power distribution units (PDUs) • Uninterruptible power supplies (UPSs) • Energy Smart containment rack enclosures Find additional information at: Power and Cooling .

The power cap policy setting in the iDRAC configuration page controls CPU-related power consumption. In XE9680 systems, most of the power is consumed by GPU which cannot be controlled by this setting. Enabling the power cap feature will drive the CPU to run at very low or lowest frequency speed.

NOTE: As of version 7.00.60.00 and later, there is no power cap function available.

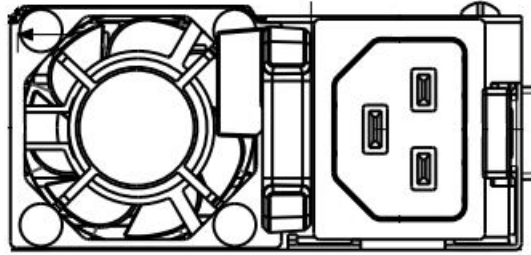
NOTE: Dell recommends user to not enable Power Cap feature in the iDRAC configuration page for XE9680 systems.

Power Supply Units

Energy Smart power supplies have intelligent features, such as the ability to dynamically optimize efficiency while maintaining availability and redundancy. Also featured are enhanced power-consumption reduction technologies, such as high-efficiency power conversion and advanced thermal-management techniques, and embedded power-management features, including high-accuracy power monitoring. The table below shows the power supply unit options that are available for the XE9680.

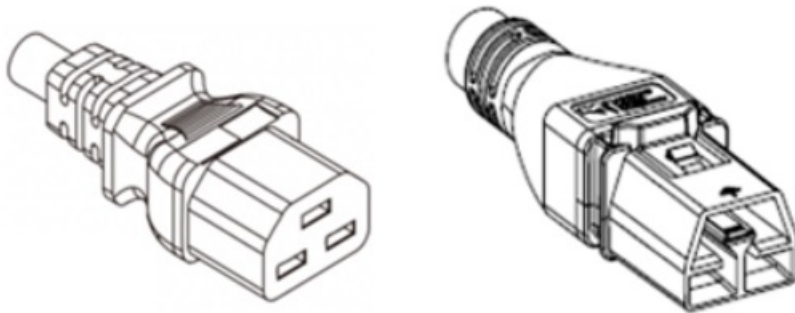
Table 21. PSU specifications for the PowerEdge XE9680 system

PSU	Class	Heat dissipation (maximum)	Frequency	Voltage	Current
2800 W Mixed Mode	Titanium	10,500 BTU/hr	50/60 Hz	200 - 240 V AC	15.6 A
	N/A	10,500 BTU/hr	N/A	240 V DC	13.6 A
3200 W Mixed Mode	Titanium	12,000 BTU/hr	50/60 Hz	277 V AC	13 A
	N/A	12,000 BTU/hr	N/A	336 V DC	11.5 A



C22

Figure 12. PSU power cord



Power Cord C21

Power Cord APP

Figure 13. PSU power cord

Table 22. PSU power cord

Form factor	Output	Power cord
Redundant 86 mm	2800 W 54 VDC	C21
Redundant 86 mm	3200 W 54 VDC	APP 2006G1

NOTE: Do not mix PSUs from different vendors within a single system configuration to ensure optimal performance and reliability.

NOTE: 2800 W 54 V PSU has a C22 input socket that requires a C21 to C20 jumper cord to connect it to the PDU in the rack. Traditional high amperage power cords C20/C19 cannot be inserted into the PSU.

Thermal

PowerEdge servers have an extensive collection of sensors that automatically track thermal activity, which helps regulate temperature thereby reducing server noise and power consumption.

Thermal design

Thermal management of the platform helps deliver high performance with the right amount of cooling to components, while maintaining the lowest fan speeds possible. This is done across a wide range of ambient temperatures from 10°C to 35°C (50°F to 95°F) and to extended ambient temperature ranges.

NOTE: The XE9680-Gaudi3 configuration supports a maximum ambient temperature of 30°C.

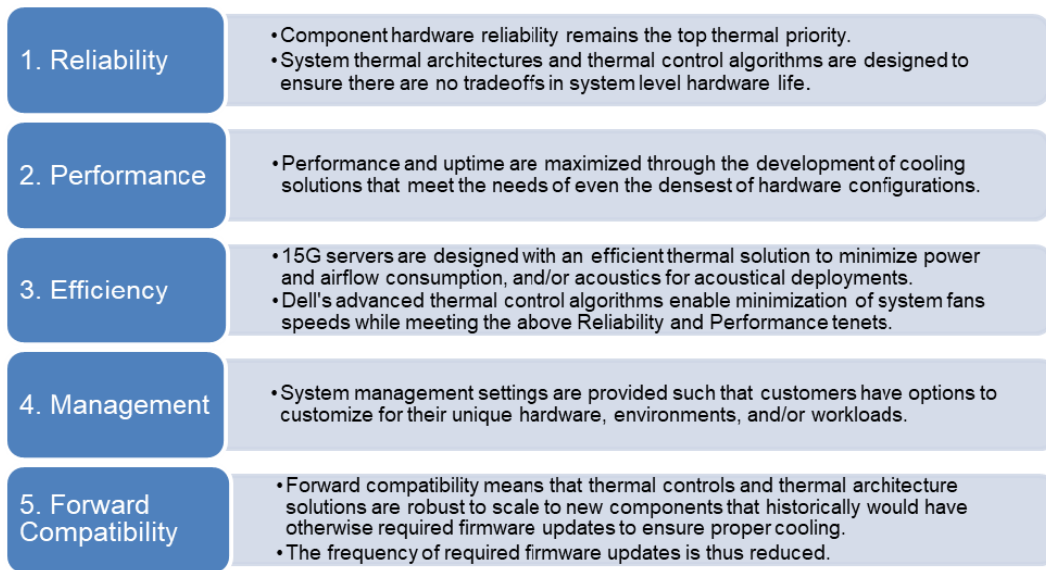


Figure 14. Thermal design characteristics

The thermal design of the PowerEdge XE9680 reflects the following:

- Optimized thermal design: The system layout is architected for optimum thermal design.
- System component placement and layout are designed to provide maximum airflow coverage to critical components with minimum expense of fan power.
- Comprehensive thermal management: The thermal control system regulates the fan speed based on several different responses from all system-component temperature sensors, as well as inventory for system configurations. Temperature monitoring includes components such as processors, DIMMs, chipset, the inlet air ambient, hard disk drives, and OCP.
- Open and closed loop thermal fan speed control: Open loop thermal control uses system configuration to determine fan speed based on inlet air ambient temperature. Closed loop thermal control method uses feedback temperatures to dynamically determine proper fan speeds.
- User-configurable settings: With the understanding and realization that every customer has unique set of circumstances or expectations from the system, in this generation of servers, we have introduced limited user- configurable settings residing in the iDRAC BIOS setup screen. For more information, see the Dell PowerEdge XE9680 Installation and Service Manual at [PowerEdge Manuals](#) and “Advanced Thermal Control: Optimizing across Environments and Power Goals” on Dell.com.
- Cooling redundancy: The PowerEdge XE9680 allows N+1 fan redundancy, allowing continuous operation with one rotor failure in the system.
- Environmental Specifications: The optimized thermal management makes the PowerEdge XE9680 reliable under a wide range of operating environments.

PowerEdge XE9680 acoustics

Dell PowerEdge XE9680 is a rack data center server whose acoustical output ranges from that appropriate unattended data centers, it is designed to meet Category 5 requirement. Acoustical performance is provided in terms of two configurations: Feature Rich with A100, H100/H200/H20, MI300X and Gaudi3 configuration details, and acoustical performance data associated with each configuration of XE9680. Each configuration has been tested according to Dell acoustical standards for blades data center servers. Configuration details are provided in the below table:

Table 23. Acoustical configurations of XE9680

Configuration	Feature Rich with H100/H200/H20 GPU	Feature Rich with A100 GPU	Feature Rich with MI300X GPU	Feature Rich with Gaudi3 GPU
CPU Type	Intel			
CPU TDP	350 W			

Table 23. Acoustical configurations of XE9680 (continued)

Configuration	Feature Rich with H100/H200/H20 GPU	Feature Rich with A100 GPU	Feature Rich with MI300X GPU	Feature Rich with Gaudi3 GPU
CPU Quantity	2 CPU			
RDIMM Memory	128 GB			
Memory Quantity	32			
Backplane Type	NVMe			
SSD Type	SSDR,NVR11,15.36TB,U.2,CM6			
SSD Quantity	8			
PSU Type	2800 W			
PSU Quantity	6			
Mezz 1	25Gb Mezz.			
BOSS Card	BOSS-N1			
PERC	N/A			
GPU	H100 GPU board	A100 GPU board	MI300X GPU board	Gaudi3 GPU board
Adapter Card-1	8 x CX7 400Gb PCIe FH Card			8x Gremlin7-NDR200 (CX-7)
Adapter Card-2	2 x 100GbE 2P Intel PCIe FH			NA

Acoustical performance data associated with each configuration of XE9680 is provided in the below table:

Table 24. Acoustical performance of XE9680

Configuration	Feature Rich with H100/H200/H20 GPU	Feature Rich with A100 GPU	Feature Rich with MI300X GPU	Feature Rich with Gaudi3 GPU	
Acoustical Performance: Idle/ Operating @ 25 °C Ambient					
L _{wA,m} (B)	Idle	6.6	6.6	7.4	7.1
	Operating	6.7	6.6	7.4	7.1
	GPU Operating	9.7	10.0	9.8	8.7
K _v (B)	Idle	0.4	0.4	0.4	0.4
	Operating	0.4	0.4	0.4	0.4
L _{pA,m} (dB)	Idle	52	52	56	56
	Operating	52	52	59	57
	GPU Operating	82	84	77	73
Prominent tones	No prominent tones in Idle and Operating				
Acoustical Performance: Idle @ 28 °C Ambient					
L _{wA,m} (B)	7.2	7.2	7.6	7.2	
K _v (B)	0.4	0.4	0.4	0.4	
L _{pA,m} (dB)	59	59	60	58	
Acoustical Performance: Max. Loading @ 35 °C Ambient					
L _{wA,m} (B)	10.2	10.1	10.2	9.9	

Table 24. Acoustical performance of XE9680 (continued)

Configuration	Feature Rich with H100/H200/H20 GPU	Feature Rich with A100 GPU	Feature Rich with MI300X GPU	Feature Rich with Gaudi3 GPU
K_v (B)	0.4	0.4	0.4	0.4
$L_{pA,m}$ (dB)	86	86	87	84

- $L_{wA,m}$: The declared mean A-weighted sound power level (LwA) is calculated per section 5.2 of ISO 9296 with data collected using the methods described in ISO 7779. Data presented here may not be fully compliant with ISO 7779.
- $L_{pA,m}$: The declared mean A-weighted emission sound pressure level is at the bystander position per section 5.3 of ISO 9296 and measured using methods described in ISO 7779. The system is placed in a 24U rack enclosure, 25cm above a reflective floor. Engineering data presented here may not be fully compliant with ISO 7779 declaration requirements.
- **Prominent discrete tones:** Criteria of Annex D of ECMA-74 & Prominence Ratio method of ECMA-418 are followed to determine if discrete tones are prominent and to report them, if so.
- **Idle mode:** The steady-state condition in which the server is energized but not operating any intended function.
- **Operating mode:** Operating mode is represented by the maximum of the steady state acoustical output at 50% of CPU TDP or active storage drives for the respective sections of Annex C of ECMA-74.
- **GPU operating mode:** GPU operating mode is represented by the maximum of the steady state acoustical output at 100% of GPU TDP.

Rack, rails, and cable management

Topics:

- [Rails and cable management information](#)

Rails and cable management information

The rail offerings for the PowerEdge XE9680 consist of only one type which is sliding. The cable management offerings consist of an optional cable management arm (CMA).

See the *Dell Enterprise Systems Rail Sizing and Rack Compatibility Matrix* available at [rail-rack-matrix](#) for information regarding:

- Specific details about rail types.
- Rail adjustability ranges for various rack mounting flange types
- Rail depth with and without cable management accessories
- Rack types that are supported for various rack mounting flange types.


Key factors governing proper rail selection include the following:

- Identifying the type of rack in which they will be installed.
- The spacing between the front and rear mounting flanges of the rack.
- The type and location of any equipment that is mounted in the back of the rack such as power distribution units (PDUs), and the overall depth of the rack.
- Overall depth of the rack

Stab-in, Sliding features summary

The stab-in, sliding rail allows the system to be fully extended out of the rack for service. The stab-in, sliding rails are available with or without the optional cable management arm (CMA).

B28 Stab-in sliding rails for 4-post racks

- Supports stab-in installation of the chassis to the rails.
- Support for tool-less installation in 19" EIA-310-E compliant square, unthreaded round hole racks including all generations of the Dell racks. Also supports tool-less installation in threaded round hole 4-post racks.
- Support for tool-less installation in Dell Titan-D racks
- Support full extension of the system out of the rack to allow serviceability of key internal components.
- Support for an optional cable management arm (CMA).
- The optional cable management arm (CMA) can be mounted on either the left side of the sliding rails without the use of tools for fast and easy deployment.
-  **NOTE:** For situations where CMA support is not required, the outer CMA mounting brackets can be uninstalled from the sliding rails. This reduces the overall length of the rails and eliminates the potential interferences with rear-mounted PDUs or the rear rack door.

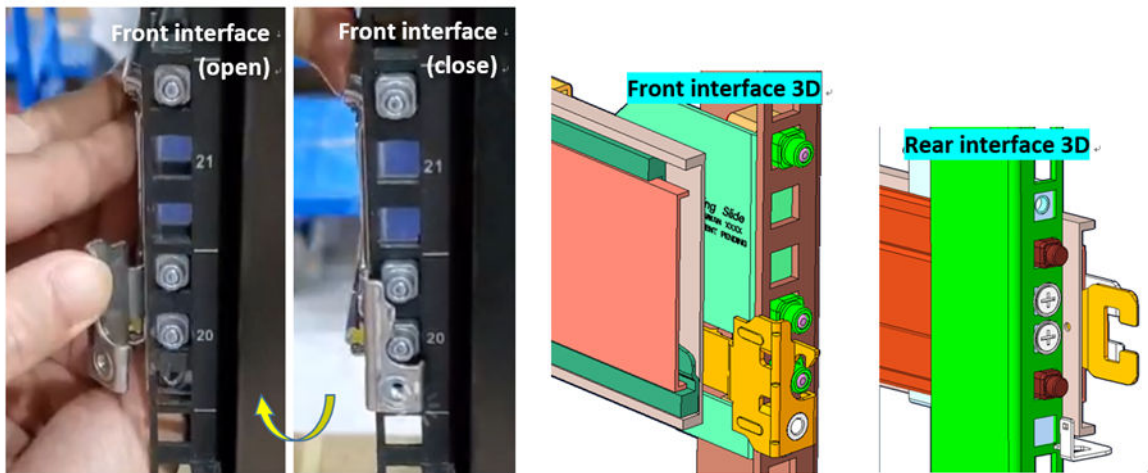


Figure 15. Stab-in Sliding Rail Mounting Interface

Scan the QR code for the documentation and trouble-shooting information regarding the installation procedures for Drop-in/ Stab-in rail types.



Figure 16. QR Code for B28 Rails

Cable management arm (CMA)

The optional cable management arm (CMA) organizes and secures the cords and cables exiting the back of the systems. It unfolds to allow the systems to extend out of the rack without having to detach the cables. Some key features of the CMA include:

- Large U-shaped baskets to support dense cable loads.
- Open vent pattern for optimal airflow.
- Ability to mount on either side by swinging the spring-loaded brackets from one side to the other.
- Utilizes hook-and-loop straps rather than plastic tie wraps to eliminate the risk of cable damage during cycling.
- Includes a low-profile fixed tray to both support and retain the CMA in its fully closed position.
- Both the CMA and the tray mount without the use of tools by simple and intuitive snap-in designs.

The CMA can be mounted to either side of the sliding rails without the use of tools or the need for conversion. For systems with one power supply unit (PSU), it is recommended to mount on the side opposite to that of the power supply to allow easier access to it and the rear drives (if applicable) for service or replacement.

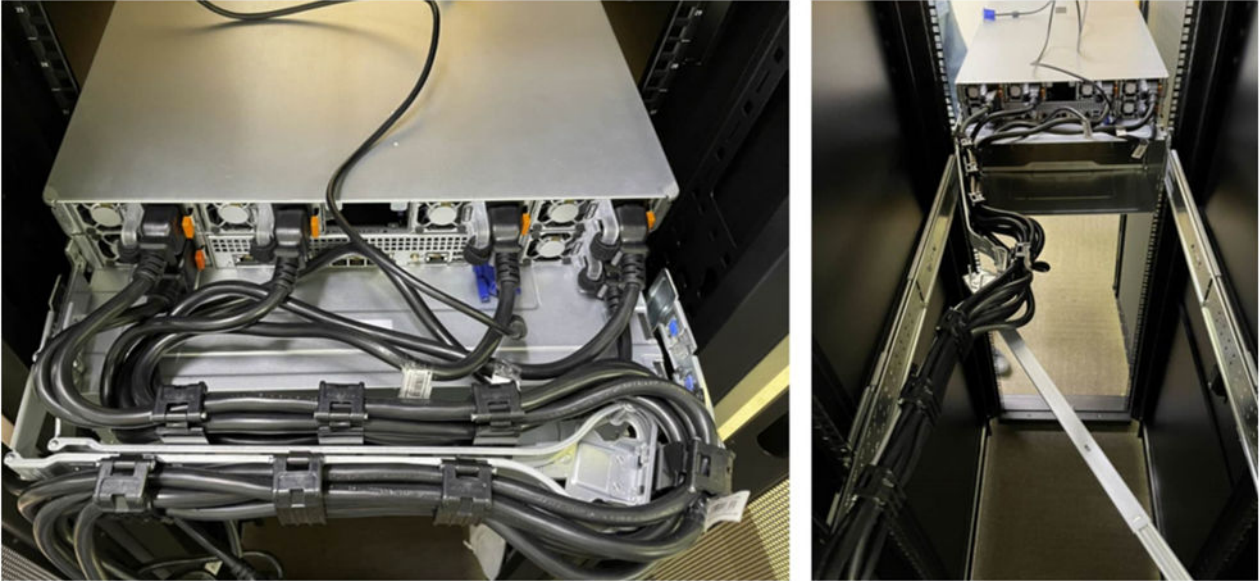


Figure 17. Stab-in Sliding rails with CMA cabling

Rack Installation

Installing Stab-in Rails to the system

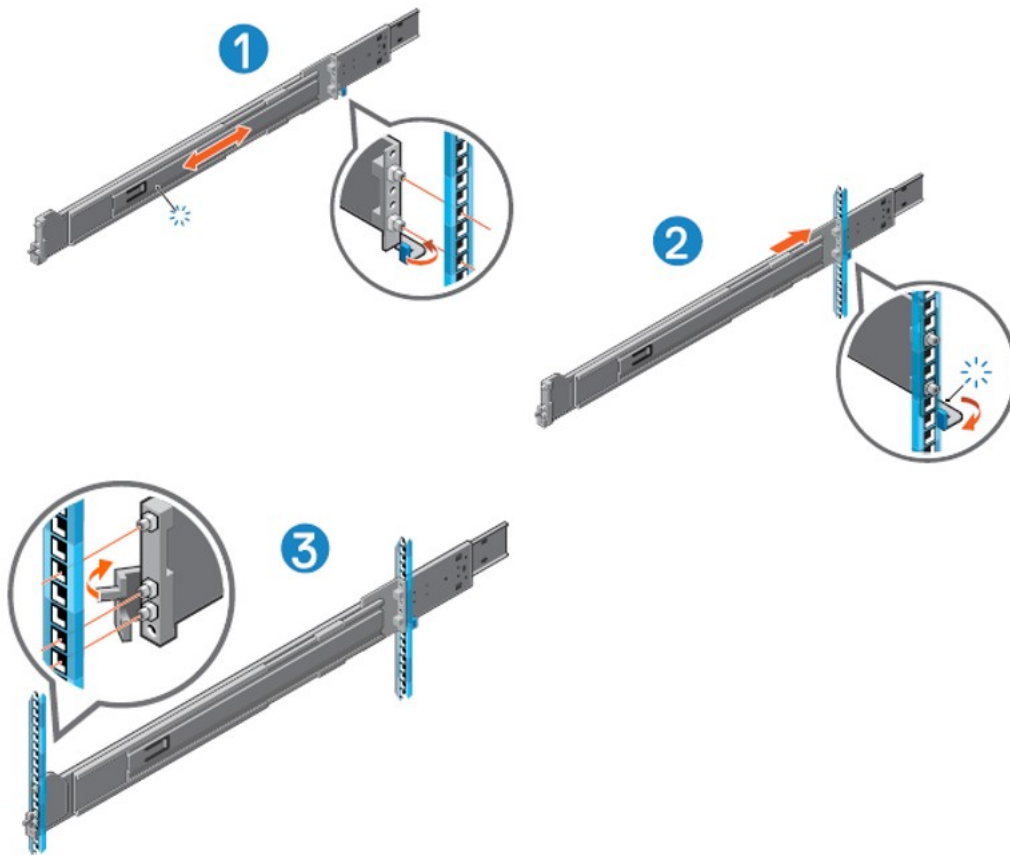


Figure 18. Installing the rail 4-POST racks

NOTE: To secure the rails to square hole or unthreaded round hole rack for shipping or in unstable environments, install supplied hardware to the rails.

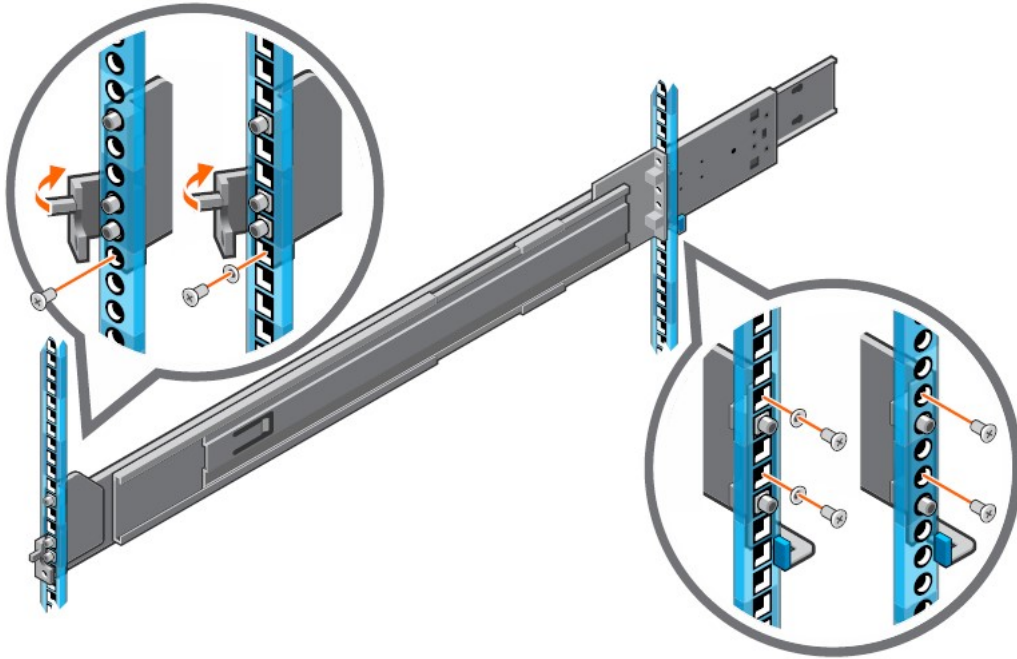


Figure 19. Securing rails on square or unthreaded round hole

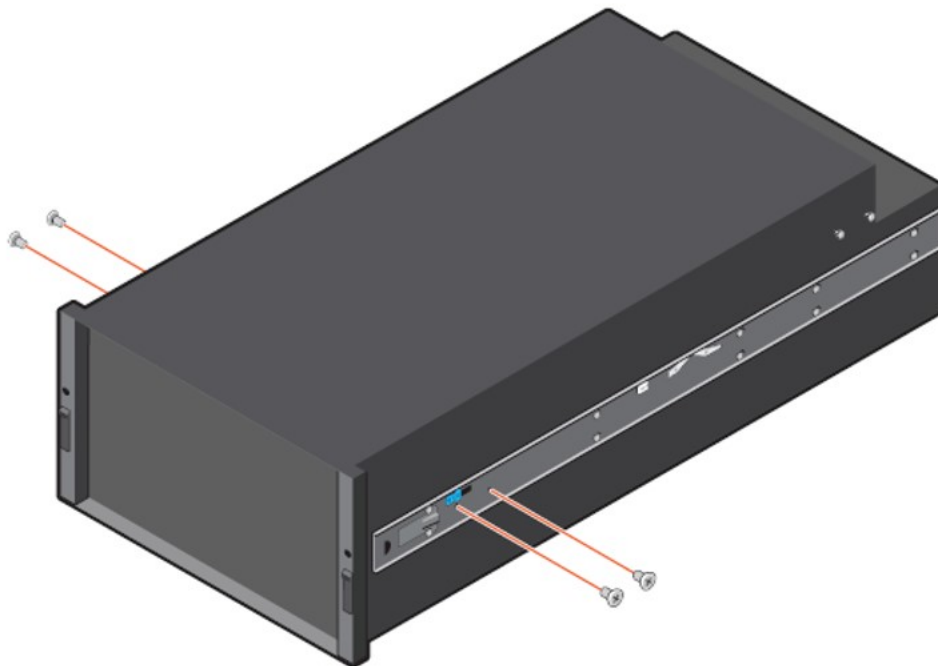


Figure 20. Shipping screws on the inner rails

NOTE: For rack-level shipping, the shipping screws must be installed on the inner rails.

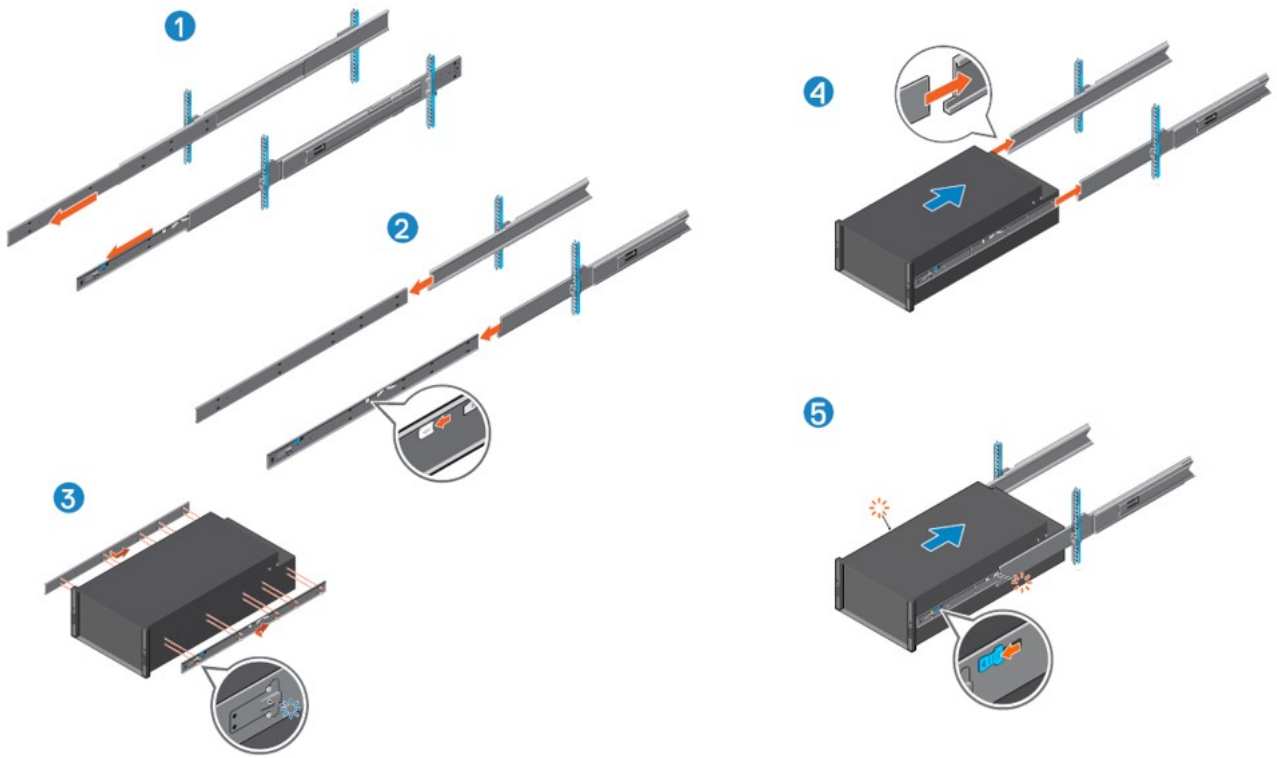


Figure 21. Installing Stab-in Rails to the system

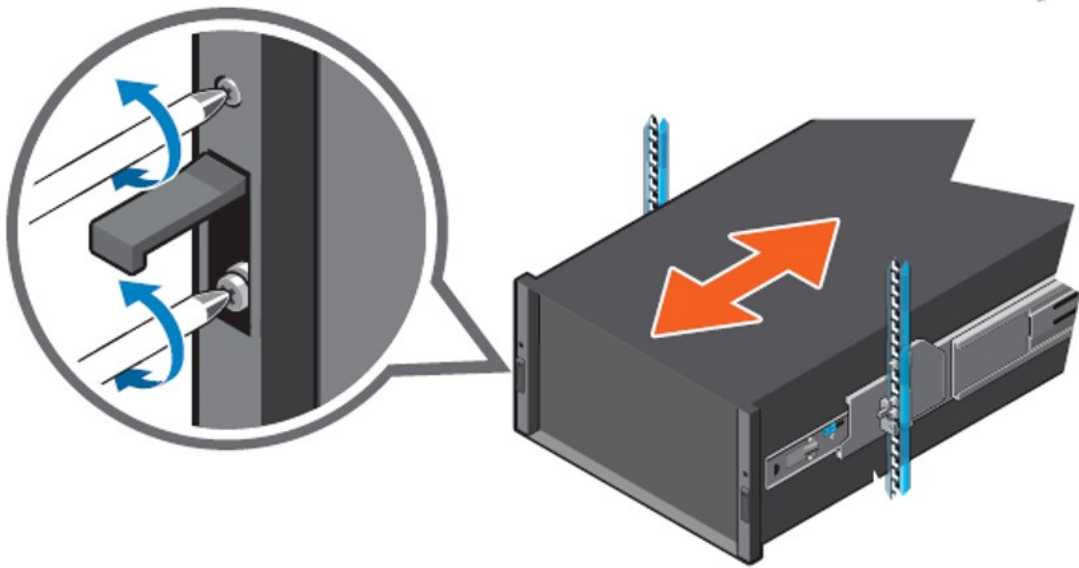


Figure 22. Securing the system to the rails

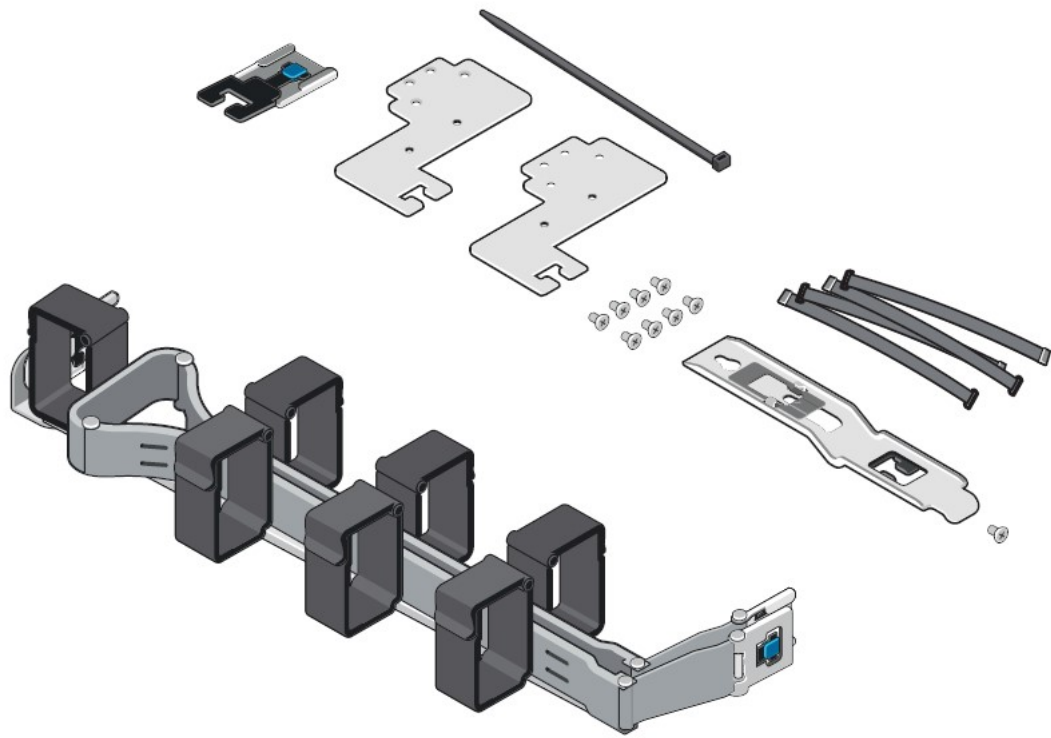


Figure 23. CMA kit contents

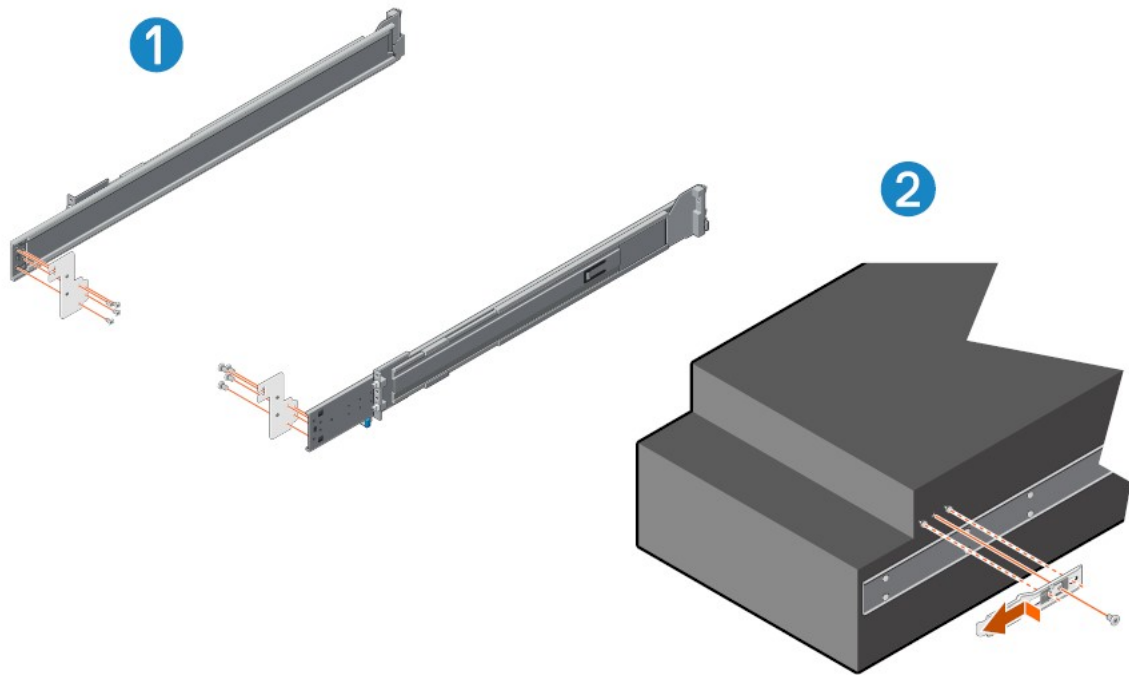


Figure 24. CMA bracket installation

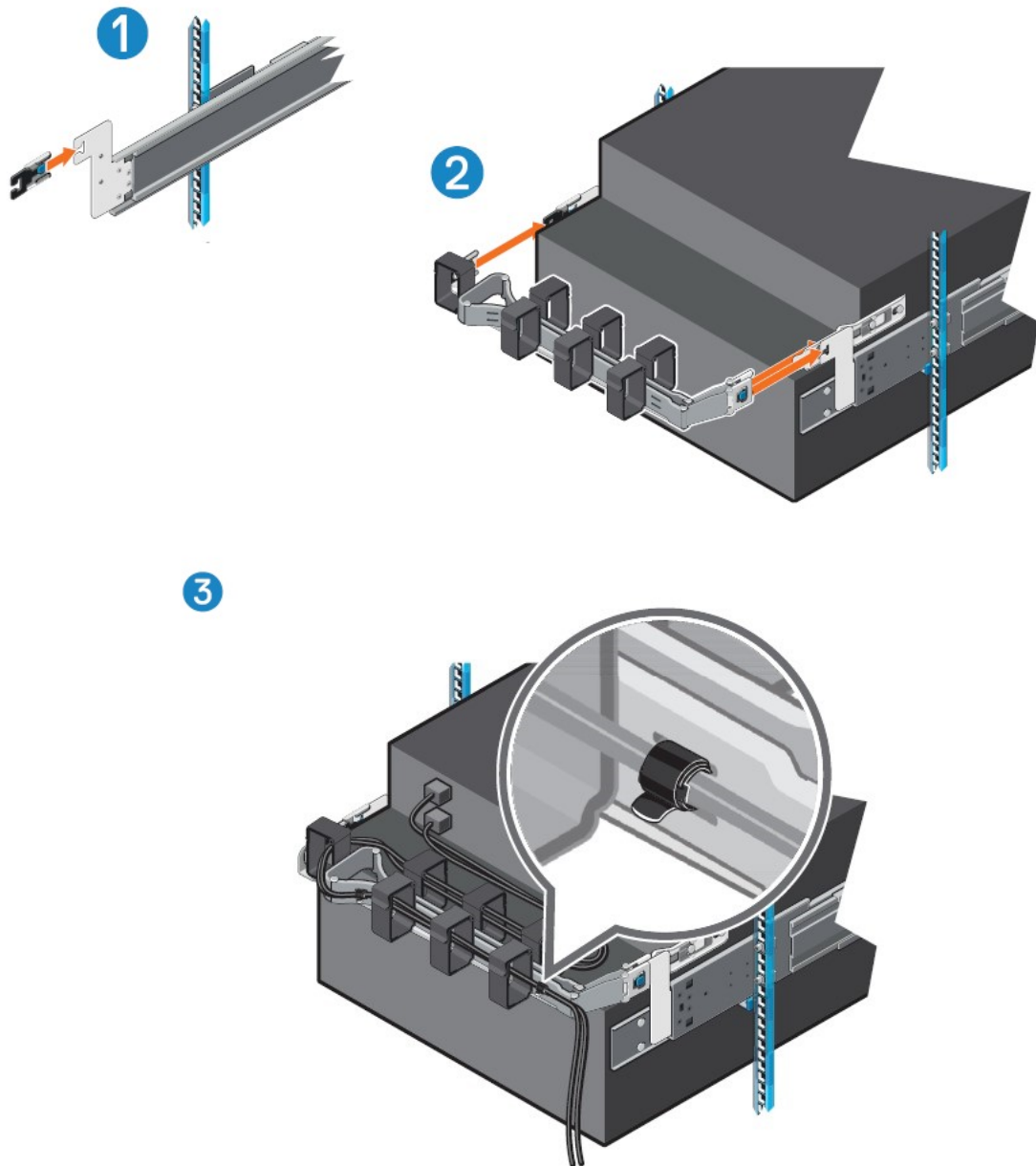


Figure 25. CMA attachment installations

NOTE: CMA attachment brackets are installed after installing the system into the rack.



Figure 26. System Information Label

Operating Systems and Virtualization

Topics:


- [Supported operating systems](#)

Supported operating systems

The PowerEdge XE9680 supports the following operating systems.

Table 25. OS-GPU Compatibility Matrix

Operating System	Supported GPUs
Canonical Ubuntu Server LTS	A100, H100, H200, H20, MI300X, Gaudi3
Red Hat Enterprise Linux	A100, H100, H200, H20, MI300X, Gaudi3
SUSE Linux Enterprise Server	A100, H100, H200, H20, MI300X, Gaudi3
VMware ESXi	H100

 **NOTE:** The PowerEdge XE9680-MI300X configuration does not support Canonical Ubuntu Server LTS version 24.04.

For more information, go to [Operating System Manuals](#).

Dell OpenManage Systems Management

Dell delivers management solutions that help IT administrators effectively deploy, update, monitor, and manage IT assets. OpenManage solutions and tools enable you to quickly respond to problems by helping them to manage Dell servers efficiently; in physical, virtual, local, and remote environments; all without the need to install an agent in the operating system.

The OpenManage portfolio includes:

- Innovative embedded management tools - integrated Dell Remote Access Controller (iDRAC)
- Consoles - OpenManage Enterprise
- Extensible with plug-ins - OpenManage Power Manager
- Update tools - Repository Manager

Dell has developed comprehensive systems management solutions that are based on open standards and has integrated with management consoles from partners such as Microsoft and VMware, allowing advanced management of Dell servers. Dell management capabilities extend to offerings from the industry's top systems management vendors and frameworks such as Ansible, Splunk, and ServiceNow. OpenManage tools automate the full span of server life cycle management activities along with powerful RESTful APIs to script or integrate with your choice of frameworks.

For more information about the entire OpenManage portfolio, see:

- The latest [Dell Systems Management Overview Guide](#).

Topics:

- [Integrated Dell Remote Access Controller \(iDRAC\)](#)
- [Systems Management software support matrix](#)

Integrated Dell Remote Access Controller (iDRAC)

iDRAC9 delivers advanced, agent-free, local and remote server administration. Embedded in every PowerEdge server, iDRAC9 provides a secure means to automate a multitude of common management tasks. Because iDRAC is embedded within every PowerEdge server, there is no additional software to install; just plug in power and network cables, and iDRAC is ready to go. Even before installing an operating system (operating system) or hypervisor, IT administrators have a complete set of server management features at their fingertips.

With iDRAC9 in-place across the Dell PowerEdge portfolio, the same IT administration techniques and tools can be applied throughout. This consistent management platform allows easy scaling of PowerEdge servers as an organization's infrastructure grows. Customers can use the iDRAC RESTful API for the latest in scalable administration methods of PowerEdge servers. With this API, iDRAC enables support for the Redfish standard and enhances it with Dell extensions to optimize at-scale management of PowerEdge servers. By having iDRAC at the core, the entire OpenManage portfolio of Systems Management tools allows every customer to tailor an effective, affordable solution for any size environment.

Zero Touch Provisioning (ZTP) is embedded in iDRAC. ZTP - Zero Touch Provisioning is Intelligent Automation Dell's agent-free management puts IT administrators in control. Once a PowerEdge server is connected to power and networking, that system can be monitored and fully managed, whether you're standing in front of the server or remotely over a network. In fact, with no need for software agents, an IT administrator can: · Monitor · Manage · Update · Troubleshoot and remediate Dell servers With features like zero-touch deployment and provisioning, iDRAC Group Manager, and System Lockdown, iDRAC9 is purpose-built to make server administration quick and easy. For those customers whose existing management platform utilizes in-band management, Dell does provide iDRAC Service Module, a lightweight service that can interact with both iDRAC9 and the host operating system to support legacy management platforms.

When ordered with DHCP enabled from the factory, PowerEdge servers can be automatically configured when they are initially powered up and connected to your network. This process uses profile-based configurations that ensure each server is configured per your specifications. This feature requires an iDRAC Enterprise license.

iDRAC9 offers following license tiers:

Table 26. iDRAC9 license tiers

License	Description
iDRAC9 Basic	<ul style="list-style-type: none"> • Available only on 100-500 series rack/tower • Basic instrumentation with iDRAC web UI • For cost conscious customers that see limited value in management
iDRAC9 Express	<ul style="list-style-type: none"> • Default on 600+ series rack/tower, modular, and XR series • Includes all features of Basic • Expanded remote management and server life-cycle features
iDRAC9 Enterprise	<ul style="list-style-type: none"> • Available as an upsell on all servers • Includes all features of Basic and Express. Includes key features such as virtual console, AD/LDAP support, and more • Remote presence features with advanced, Enterprise-class, management capabilities
iDRAC9 Datacenter	<ul style="list-style-type: none"> • Available as an upsell on all servers • Includes all features of Basic, Express, and Enterprise. Includes key features such as telemetry streaming, Thermal Manage, automated certificate management, and more • Extended remote insight into server details, focused on high end server options, granular power, and thermal management

For a full list of iDRAC features by license tier, see [Integrated Dell Remote Access Controller 9 User's Guide](#) at [Dell.com](#).

For more details on iDRAC9 including white papers and videos, see:

- [Support for Integrated Dell Remote Access Controller 9 \(iDRAC9\)](#) on the [Knowledge Base](#) page at [Dell.com](#)

Systems Management software support matrix

Table 27. Systems Management software support matrix

Categories	Features	PE mainstream
Embedded Management and In-band Services	iDRAC9 (Express, Enterprise, and Datacenter licenses)	Supported
	OpenManage Mobile	Not Supported
	OM Server Administrator (OMSA)	Supported
	iDRAC Service Module (iSM)	Supported
	Driver Pack	Not Supported
Change Management	Update Tools (Repository Manager, DSU, Catalogs)	Supported
	Server Update Utility	Not Supported
	Lifecycle Controller Driver Pack	Supported
	Bootable ISO	Supported
Console and Plug-ins	OpenManage Enterprise	Supported
	Power Manager Plug-in	Supported
	Update Manager Plug-in	Supported
	SupportAssist Plug-in	Supported
	CloudIQ	Supported
Integrations and connections	OM Integration with VMware Vcenter/vROps	Supported
	OM Integration with Microsoft System Center (OMIMSC)	Not Supported
	Integrations with Microsoft System Center and Windows Admin Center (WAC)	Not Supported

Table 27. Systems Management software support matrix (continued)

Categories	Features	PE mainstream
	ServiceNow	Supported
	Ansible	Supported
	Third-party Connectors (Nagios, Tivoli, Microfocus)	Supported
Security	Secure Enterprise Key Management	Supported
	Secure Component Verification	Supported
Standard operating system	Red Hat Enterprise Linux, SUSE, Ubuntu	Supported (Tier-1)

Appendix A. Additional specifications

Topics:

- Chassis dimensions
- System weight
- NIC port specifications
- Video specifications
- USB ports specifications
- PSU rating
- Environmental specifications

Chassis dimensions

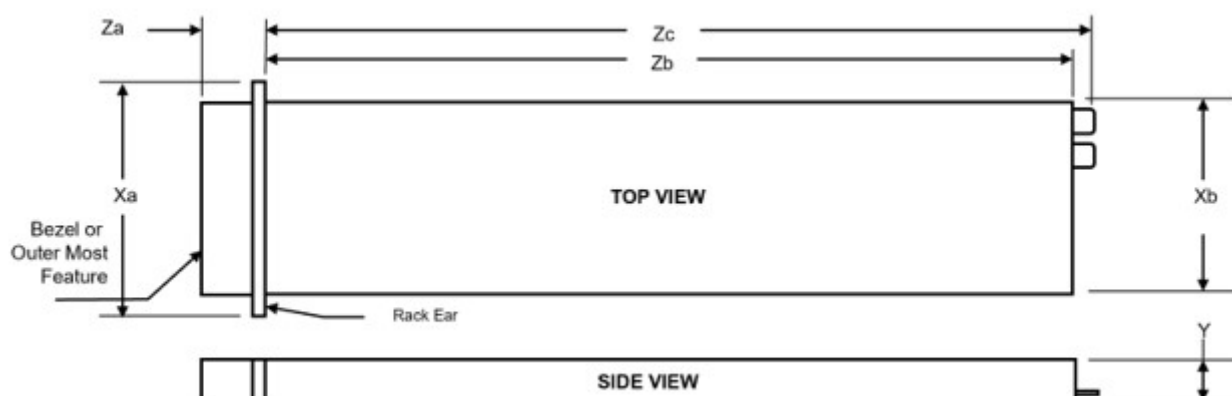


Figure 27. Chassis dimensions

Table 28. Chassis dimension for the PowerEdge XE9680 system

Drives	Xa	Xb	Y	Za	Zb	Zc
16 x E3.s or 8 x 2.5-inch NVMe drives or system with no backplane configuration	482.0 mm (18.97 inches)	447.0 mm (17.59 inches, top) 434.0 mm (17.08 inches, bottom)	263.2 mm (10.36 inches)	35.77 mm (1.4 inches) with bezel 22.0 mm (0.87 inches without bezel)	855.5 mm (33.68 inches, top) Ear to rear wall 966 mm (38.03 inches, bottom) Ear to rear GPU fan	973 mm (38.30 inches) Ear to Fan handle

NOTE: Zb is the nominal rear wall external surface where the system board I/O connectors reside.

NOTE: Chassis length is longer than usual, need to consider potential interferences with the rear mounted PDU or the rear rack door when installed on rack.

Additional Guideline for OSFP Cable

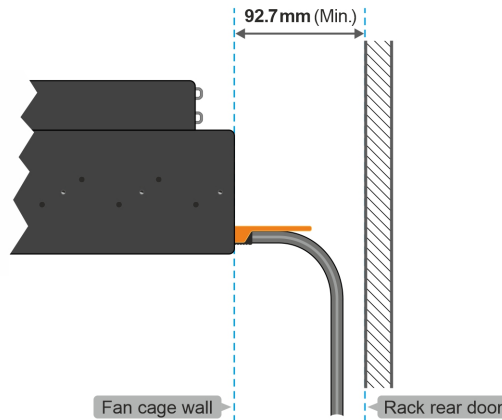


Figure 28. Additional Guideline for OSFP Cable

NOTE: The required minimum distance between the fan cage wall of the chassis and the inside edge of the rear door of the rack for the OSFP cable is 92.7 mm. This applies to the XE9680-Gaudi3 configuration.

System weight

Table 29. Weight for the PowerEdge XE9680 system with 8 x 2U SSDs

System configuration	Maximum weight (with all drives/SSDs)
XE9680 system with fully populated with H100/H200/H20	107 kg (235.89 pounds)
XE9680 system with fully populated with A100	105 kg (231.48 pounds)
XE9680 system with fully populated with MI300X	113.3 kg (249.78 pounds)
XE9680 system with fully populated with Gaudi3	111.7 kg (246.26 pounds)
XE9680 system L10, without 8 x U2 SSDs, 6 x PSUs, 1 x GPU module, 10 x PCIe cards, 1 x BOSS module	70.19 kg (154.74 pounds)

Table 30. Weight for the PowerEdge XE9680 system with 16 x E3.s SSDs

System configuration	Maximum weight (with all drives/SSDs)
XE9680 system with fully populated with H100/H200/H20	107.75 kg (237.55 pounds)
XE9680 system with fully populated with A100	106 kg (233.69 pounds)
XE9680 system with fully populated with MI300X	114.05 kg (251.44 pounds)
XE9680 system L10, without 16 x E3.s SSDs, 6 x PSUs, 1 x GPU module, 10 x PCIe cards, 1 x BOSS module	70.76 kg (155.99 pounds)

NOTE: The 16 x E3.s SSDs configuration is not supported by the XE9680 system with Gaudi3 GPUs.

Table 31. PowerEdge system weight handling recommendations

Chassis weight	Description
40 pounds - 70 pounds	Recommend two people to lift.
70 pounds- 120 pounds	Recommend three people to lift.
≥ 121 pounds	Server lift is required.

⚠ WARNING: The system is heavy, so ensure adequate support and balance during movement and installation; a lift is required for loads over 120 pounds, as the system can slide and cause damage when being installed or removed from a higher position on the rack.

NIC port specifications

The PowerEdge XE9680 system supports up to two 10/100/1000 Mbps Network Interface Controller (NIC) ports embedded on the LAN on Motherboard (LOM) and integrated on the optional Open Compute Project (OCP) cards.

Table 32. NIC port specification for the system

Feature	Specifications
LOM card	1 GbE x 2
OCP card (OCP 3.0)	Intel 25 GbE x 4, Intel 25 GbE x 2, Intel 10 GbE x 4, Broadcom 25 GbE x 4, Broadcom 10 GbE x 4, Broadcom 25 GbE x 2

Video specifications

The system supports integrated Matrox G200 graphics controller with 16 MB of video frame buffer.

Table 33. Supported front video resolution options for the system

Resolution	Refresh rate (Hz)	Color depth (bits)
1024 x 768	60	8, 16, 32
1280 x 800	60	8, 16, 32
1280 x 1024	60	8, 16, 32
1360 x 768	60	8, 16, 32
1440 x 900	60	8, 16, 32
1600 x 900	60	8, 16, 32
1600 x 1200	60	8, 16, 32
1680 x 1050	60	8, 16, 32
1920 x 1080	60	8, 16, 32
1920 x 1200	60	8, 16, 32

Table 34. Supported rear video resolution options for the system

Resolution	Refresh rate (Hz)	Color depth (bits)
1024 x 768	60	8, 16, 32
1280 x 800	60	8, 16, 32
1280 x 1024	60	8, 16, 32
1360 x 768	60	8, 16, 32
1440 x 900	60	8, 16, 32
1600 x 900	60	8, 16, 32
1600 x 1200	60	8, 16, 32
1680 x 1050	60	8, 16, 32
1920 x 1080	60	8, 16, 32
1920 x 1200	60	8, 16, 32

USB ports specifications

Table 35. PowerEdge XE9680 USB specifications

Front		Rear	
USB port type	No. of ports	USB port type	No. of ports
USB 2.0-compliant port	One	USB 3.0-compliant port	One
iDRAC Direct port (Micro-AB USB 2.0-compliant port)	One	USB 2.0-compliant ports	One

NOTE: The micro USB 2.0 compliant port can only be used as an iDRAC Direct or a management port.

NOTE: Avoid connecting USB devices to the iDRAC Direct port of the XE9680 system during system initialization, POST, boot operations, or GPU firmware updates.

PSU rating

Below table lists the power capacity of the PSUs in High/Low line operation mode.

Table 36. PSUs Highline and Lowline Ratings

Features	2800 W Titanium	3200 W Titanium
Peak Power (Highline/-72 VDC)	4760 W	5440 W
Highline/-72 VDC	2800 W	3200 W
Peak Power (Lowline/-40 VDC)	N/A	N/A
Lowline/-40 VDC	N/A	N/A
Highline 240 VDC	2800 W	3200 W
DC-48-60 V	N/A	N/A

The PowerEdge XE9680 supports six AC or DC power supplies.

Dell PSUs have achieved Titanium efficiency levels as shown in the table below.

Table 37. PSU Efficiency Level

Form Factor	Output	Class	10%	20%	50%	100%
Redundant 86mm	2800 W AC	Titanium	90.00%	94.00%	96.00%	94.00%
Redundant 86mm	3200 W AC	Titanium	90.00%	94.00%	96.00%	91.00%
Redundant 86mm	3200 W DC	Titanium	90.00%	94.00%	96.00%	91.00%

Environmental specifications

NOTE: For additional information about environmental certifications, refer to the Product Environmental Datasheet located with the Manuals & Documents on [Dell Support](#).

Table 38. Continuous operation specifications for ASHRAE A2

Temperature	Specifications
Allowable continuous operations	
Temperature ranges for altitudes <= 900 m (<= 2953 ft)	10–35°C (50–95°F) with no direct sunlight on the equipment <i>i</i> NOTE: The XE9680-Gaudi3 configuration supports a maximum ambient temperature of 30°C.
Humidity percent ranges (non-condensing at all times)	8% RH with -12°C minimum dew point to 80% RH with 21°C (69.8°F) maximum dew point
Operational altitude de-rating	Maximum temperature is reduced by 1°C/300 m (1.8°F/984 Ft) above 900 m (2953 Ft)

Table 39. Shared requirements across all categories

Temperature	Specifications
Allowable continuous operations	
Maximum temperature gradient (applies to both operation and non-operation)	20°C in an hour* (36°F in an hour) and 5°C in 15 minutes (41°F in 15 minutes), 5°C in an hour* (41°F in an hour) for tape <i>i</i> NOTE: * - Per ASHRAE thermal guidelines for tape hardware, these are not instantaneous rates of temperature change.
Non-operational temperature limits	-40°C to 65°C (-104°F to 149°F)
Non-operational humidity limits	5% to 95% RH with 27°C (80.6°F) maximum dew point
Maximum non-operational altitude	12,000 meters (39,370 feet)
Maximum operational altitude	3,048 meters (10,000 feet)

Table 40. Maximum vibration specifications

Maximum vibration	Specifications
Operating	0.21 G _{rms} at 5 Hz to 500 Hz (all operation orientations)
Storage	1.38 G _{rms} at 7 Hz to 250 Hz for 15 minutes

Table 41. Maximum shock pulse specifications

Maximum shock pulse	Specifications
Operating	Six consecutively executed shock pulses in the positive and negative x, y, and z axis of 6 G for up to 11 ms.
Storage	Executed shock pulses in z axis (one pulse) of 71 G for up to 2ms

Thermal restriction matrix

Table 42. Thermal Restriction Matrix- 4th Generation Intel® Xeon® Processors

CPU (W)	Heat sink type	Fan Type	8 x 2.5-inch SAS/SATA/NVMe or 16 x E3.s
			ASHRAE A2 (Max 35° C)
Intel SPR 56C 8480+ CPU (350W)	2U CPU HPR HSK	High Performance Gold Fan (CPU Fan)	Supported
Intel SPR 52C 8470 CPU (350W)			

Table 42. Thermal Restriction Matrix- 4th Generation Intel® Xeon® Processors (continued)

CPU (W)	Heat sink type	Fan Type	8 x 2.5-inch SAS/SATA/NVMe or 16 x E3.s
			ASHRAE A2 (Max 35° C)
Intel SPR 48C 8468 CPU (350W)			
Intel SPR 32C 6448Y CPU (225W)			
Intel SPR 24C 6442Y CPU (225W)			
Intel SPR 36C 8452Y CPU (300W)			
Intel SPR 32C 8462Y+ CPU (300W)			
Intel SPR 40C 8460Y+ CPU (300W)			

i | **NOTE:** The XE9680-Gaudi3 configuration supports a maximum ambient temperature of 30°C.

i | **NOTE:** The XE9680-Gaudi3 configuration supports only 8 x 2.5-inch NVMe SSD drives.

Table 43. Thermal Restriction Matrix- 5th Generation Intel® Xeon® Scalable Processors

CPU (W)	Heat sink type	Fan Type	8 x 2.5-inch SAS/SATA/NVMe or 16 x E3.s
			ASHRAE A2 (Max 35° C)
Intel EMR 64C 8592+ CPU (350W)	2U CPU HPR HSK	High Performance Gold Fan (CPU Fan)	Supported
Intel EMR 60C 8580 CPU (350W)			
Intel EMR 48C 8568Y+ CPU (350W)			
Intel EMR 32C 8562Y+ CPU (300W)			
Intel EMR 32C 6548Y+ CPU			

Table 43. Thermal Restriction Matrix- 5th Generation Intel® Xeon® Scalable Processors (continued)

CPU (W)	Heat sink type	Fan Type	8 x 2.5-inch SAS/SATA/NVMe or 16 x E3.s
			ASHRAE A2 (Max 35° C)
(250W)			
Intel EMR 24C 6542Y CPU (250W)			

NOTE: The XE9680-Gaudi3 configuration supports a maximum ambient temperature of 30°C.

NOTE: The XE9680-Gaudi3 configuration supports only 8 x 2.5-inch NVMe SSD drives.

Table 44. GPU/FPGA Thermal Restriction Matrix

TDP (W)	Heat sink type	Fan Type	8 x 2.5-inch SAS/SATA/NVMe or 16 x E3.s
			ASHRAE A2 (Max 35° C)
Nvidia Delta Board (8x A100 500 W)	4U GPU HSK+NVLink HSK		
Nvidia Delta-Next Board (8x H100 700 W) (8x H200 700 W) (8x H20 500 W)	NA	High Performance Gold Fan (GPU Fan)	Supported
AMD INSTINCT (8x MI300X 750W)	NA		
Intel Gaudi3 UBB (8x Gaudi3 900W)	NA	High Performance Gold Fan (GPU Fan)	Supported *

NOTE: * The XE9680-Gaudi3 configuration supports a maximum ambient temperature of 30°C .

NOTE: The XE9680-Gaudi3 configuration supports only 8 x 2.5-inch NVMe SSD drives.

NOTE: Note: When GPUs are installed, the iDRAC sets the thermal warning threshold to 38°C for NVIDIA and AMD GPUs. If the System Board Inlet Temperature reaches this threshold, a warning message is logged, and the GPUs may reduce power consumption to prevent thermal damage, leading to decreased performance. For Intel GPUs, the thermal warning threshold is set to 33°C. Similar to NVIDIA and AMD GPUs, reaching this temperature may also trigger power reduction and impact performance.

Table 45. Processor and heat sink matrix

Heatsink	Processor TDP
2U HPR HSK	Supports all TDP

Other Restrictions:

- ASHRAE A3/A4 environments are not supported.
- Install an HDD blank if the slot is not equipped with an HDD.
- DIMM blank is not required when the DIMM population quantity is 16 pieces or more.

Additional Restrictions for NVIDIA and AMD GPUs:

- All NVIDIA and AMD configurations support ambient temperatures of 35°C without any performance degradation.
- The GPU fan service time should be limited to 30 seconds.

Additional Restrictions for Intel Gaudi3 GPUs:

- The XE9680-Gaudi3 configuration support ambient temperatures of 30°C without any performance degradation.
- GPU fan service time must be within 5 minutes to prevent component overheating.
- The system does not support net airflow display in the iDRAC WebGUI.
- PCIe slots 33 and 38 are not supported for the optimized arrangement.

Appendix B. Standards compliance

The system conforms to the following industry standards.

Table 46. Industry standard documents

Standard	URL for information and specifications
ACPI Advance Configuration and Power Interface Specification, v6.4	Specifications and Tools
Ethernet IEEE Std 802.3-2022	IEEE Standards Association
IPMI Intelligent Platform Management Interface, v2.0	IPMI
DDR5 Memory DDR5 SDRAM Specification	DDR5 SDRAM
PCI Express PCI Express Base Specification, v5.0	pciexpress
PMBus Power System Management Protocol Specification, v1.2	PMBus specifications
SAS Serial Attached SCSI, 3 (SAS-3) (T10/INCITS 519)	SCSI
SATA Serial ATA Rev. 3.3	sata-io.org
SMBIOS System Management BIOS Reference Specification, v3.3.0	DMTF SMBIOS
TPM Trusted Platform Module Specification, v1.2 and v2.0	trustedcomputinggroup.org
UEFI Unified Extensible Firmware Interface Specification, v2.7	uefi.org/specifications
PI Platform Initialization Specification, v1.7	
USB Universal Serial Bus v2.0 and SuperSpeed v3.0 (USB 3.1 Gen1)	USB Implementers Forum, Inc. USB document library
NVMe Express Base Specification. Revision 2.0c	NVMe specifications
NVMe Command Set Specifications	
1. NVMe Express NVMe Command Set Specification. Revision 1.1c	
2. NVMe Express Zoned Namespaces Command Set. Revision 1.0c	
3. NVMe Express® Key Value Command Set. Revision 1.0c	
NVMe Transport Specifications	
1. NVMe Express over PCIe Transport. Revision 1.0c	
2. NVMe Express RDMA Transport Revision. 1.0b	
3. NVMe Express TCP Transport. Revision 1.0c	
NVMe NVMe Express Management Interface. Revision 1.2c	
NVMe NVMe Boot Specification. Revision 1.0	

Appendix C Additional resources

Table 47. Additional resources

Resource	Description of contents	Location
Installation and Service Manual	This manual, available in PDF format, provides the following information: <ul style="list-style-type: none"> • Chassis features • System Setup program • System indicator codes • System BIOS • Remove and replace procedures • Diagnostics • Jumpers and connectors 	Dell.com/Support/Manuals
Getting Started Guide	This guide ships with the system, and is also available in PDF format. This guide provides the following information: <ul style="list-style-type: none"> • Initial setup steps 	Dell.com/Support/Manuals
Rack Installation Guide	This document ships with the rack kits, and provides instructions for installing a server in a rack.	Dell.com/Support/Manuals
System Information Label	The system information label documents the system board layout and system jumper settings. Text is minimized due to space limitations and translation considerations. The label size is standardized across platforms.	Inside the system chassis cover
QR code for system resources	This code on the chassis can be scanned by a phone application to access additional information and resources for the server, including videos, reference materials, service tag information, and Dell contact information.	Inside the system chassis cover
Enterprise Infrastructure Planning Tool (EIPT)	The Dell online EIPT enables easier and more meaningful estimates to help you determine the most efficient configuration possible. Use EIPT to calculate the power consumption of your hardware, power infrastructure, and storage.	Dell.com/calc

Appendix D: Service and support

Topics:

- [Why attach service contracts](#)
- [ProSupport Infrastructure Suite](#)
- [Specialty Support Services](#)
- [ProDeploy Infrastructure Suite](#)
- [Supplemental Deployment Services](#)
- [Unique Deployment Scenarios](#)
- [DAY 2 – Automation Services with Ansible](#)
- [Dell Technologies Consulting Services](#)

Why attach service contracts

Dell PowerEdge servers include a standard hardware warranty that highlights our commitment to product quality by guaranteeing repair or replacement of defective components. While industry-leading, our warranties are limited to 1 or 3 years, depending on model, and do not cover software assistance. Call records show that customers are most often seeking Dell technical support for software related issues like configuration guidance, troubleshooting, upgrade assistance or performance tuning. Encourage customers to purchase ProSupport service contracts to supplement warranty coverage and ensure optimal support for both hardware and software. ProSupport provides a complete hardware guarantee beyond the original warranty period.

ProSupport Infrastructure Suite

ProSupport Infrastructure Suite is a set of support services that enable customers to build the solution that is right for their organization. It is an industry-leading, enterprise-class support that aligns with the criticality of your systems, the complexity of your environment, and the allocation of your IT resources.

Figure 29. ProSupport Enterprise Suite

	Basic Hardware Support	ProSupport	BEST ProSupport Plus
Customer Advocacy via assigned Services Account Manager ①			
Benefit from personalized services assistance that aligns with your business goals.			✓
Stay ahead of challenges with actionable insights gained through comprehensive service intelligence.			✓
Experience fast critical issue resolution through coordinated team response and executive escalation paths.			✓
Ensure coverage continuity by planning effectively for technology lifecycle transitions.			✓
Proactive Monitoring & Actionable Insights via Dell's connectivity solutions and tools			
Quickly visualize performance through a current system health score		✓	✓
Cybersecurity monitoring and mitigation recommendations provide another layer of protection		✓	✓
Predictive performance and capacity analysis address bottlenecks		✓	✓
Prevent or plan for downtime with predictive hardware anomaly detection		✓	✓
Energy consumption and carbon footprint forecasting support sustainability and stewardship initiatives		✓	✓
Get ahead of problems with proactive issue detection with automated case creation	✓	✓	✓
Streamline internal IT efforts with efficient service request and escalation management tools	✓	✓	✓
Minimize disruptions by self-dispatching eligible parts	✓	✓	✓
Support Essentials			
Keep systems code current and performing at peak through Proactive System Maintenance			✓
Count on Mission Critical Support during Sev 1 incidents and natural disasters ①			✓
Enjoy priority access to senior technical support engineers			✓
Bringing your own software? We provide limited 3rd party software support ①			✓
Choose onsite parts delivery and labor response that meets your needs	Next Business Day	NBD or 4-hour	4-hour
Select product coverage that best augments your internal resources	Hardware	Hardware & Software	Hardware & Software
Have an issue? We are here for you by phone, chat and online	Local business hours	24/7/365	24/7/365

ProSupport Plus for Infrastructure

ProSupport Plus for Infrastructure is the ultimate solution for customers seeking preventative maintenance and optimal performance on their business-critical assets. The service caters to customers who require proactive, predictive, and personalized support for systems that manage critical business applications and workloads. When customers purchase PowerEdge server, we recommend ProSupport Plus, our proactive and preventative support service for business-critical systems. ProSupport Plus provides all the benefits of ProSupport, including the following “Top five reasons to buy ProSupport Plus (PSP)”

- 1. Priority access to specialized support experts:** Immediate advanced troubleshooting from an engineer that understands Dell infrastructure solutions.
- 2. Mission Critical Support:** When critical (Severity 1) support issues happen, the customer is assured that we do all that we can to get them back up and running as quickly as possible.
- 3. Service Account Manager:** A customer’s #1 support advocate, ensuring they get the best possible proactive and predictive support experience.
- 4. Systems maintenance:** On a semiannual basis, we will keep a customer’s ProSupport Plus system(s) up to date by installing the latest firmware, BIOS, and driver updates to improve performance and availability.
- 5. Third-party software support:** Dell is a customer’s single point of accountability for any eligible third-party software that is installed on their ProSupport Plus system, whether they purchased the software from us or not.

ProSupport for Infrastructure

Comprehensive 24x7 support for hardware and software – best for production, but not critical, workloads and applications. The ProSupport service offers highly trained experts around the clock and around the globe to address IT needs. We help minimize disruptions and maximize availability of PowerEdge server workloads with:

- 24x7 support through phone, chat and online
- A central point of accountability for all hardware and software issues
- Hypervisor, operating system, and application support
- Dell security advisories
- Onsite response service levels 4 hour or Next Business Day options

- Proactive issue detection with automated case creation
- Predictive hardware anomaly detection
- Incident Manager assigned for Severity 1 cases
- Collaborative third-party support
- Access to AIOps Platforms - (MyService360, TechDirect, and CloudIQ)
- Consistent experience regardless of where customers are located or what language that they speak.

Basic Hardware Support

Provides reactive hardware support during normal business hours, excluding local national holidays. No software support or software-related guidance. For improved levels of support, choose ProSupport or ProSupport Plus.

Specialty Support Services

Optional specialty support services complement the ProSupport Infrastructure Suite to provide additional proficiencies that are critical for modern data center operations.

Hardware coverage add-ons to ProSupport

- **Keep Your Hard Drive (KYHD), Keep Your Component (KYC), or Keep Your GPU (KYGPU):**

Normally if a device fails under warranty, Dell replaces it using a one-for-one exchange process. KYHD/KYCC/KYGPU gives you the option to retain your device. It provides full control of sensitive data and minimizes security risk by letting you retain possession of failed drives, components, or GPU when receiving replacement parts without incurring additional cost.

- **Onsite Diagnosis Service:**

Ideal for sites with non-technical staff. Dell field technician performs initial troubleshooting diagnosis onsite and transfers to Dell remote engineers to resolve the issue.

- **ProSupport Add-on for HPC:**

Sold as an add-on to a ProSupport service contract, the ProSupport Add-on for HPC provides solution-aware support to cover the additional requirements that are required to maintain an HPC environment such as:

- Access to senior HPC experts
- Advanced HPC cluster assistance: Performance, interoperability, and configuration
- Enhanced HPC solution level end-to-end support
- Remote pre-support engagement with HPC Specialists during ProDeploy implementation

- **ProSupport Add-on for Telco (Respond & Restore):**

An add-on service designed for the top 31 TELCO customers globally, Respond & Restore provides direct access to Dell solution experts who specialize in TELCO carrier-grade support. This add-on also provides a hardware uptime guarantee, meaning if a system fails, Dell has it installed and operational within 4 hours for Severity 1 issues. Dell incurs penalties and fees if SLAs are not met.

Personalized Support and Supplemental Site-wide Expertise

- **Technical Account Manager:**

Designated technology lead who monitors and manages the performance and configuration of specific technology sets.

- **Designated Remote Support:**

Personalized support expert who manages all troubleshooting and resolution of IT assets.

- **Multivendor Support Service:**

Support your third-party devices as one service plan for servers, storage, and networking (includes coverage for: Broadcom, Cisco, Fujitsu, HPE, Hitachi, Huawei, IBM, Lenovo, NetApp, Oracle, Quanta, SuperMicro and others).

Services for large enterprises

- **ProSupport One for Data Center:**

ProSupport One for Data Center offers flexible site-wide support for large and distributed data centers with more than 1,000 assets (combined total of server, storage, networking, so forth). This offering is built on standard ProSupport features that leverage our global scale and are tailored to specific customer needs. While not for everyone, this service option offers a truly unique solution for our largest customers with the most complex environments.

- Team of assigned Services Account Managers with remote or onsite options
- Assigned technical and field engineers who are trained on the customer's environment and configurations.
- On-demand reporting and recommendations that are enabled by ProSupport AIOps tools (MyService360, TechDirect, and CloudIQ)
- Flexible onsite support and parts options that fit their operational model
- A tailored support plan and training for their operations staff

- **ProSupport One for CSPs (Cloud Serviced Providers)**

ProSupport One for CSPs is a unique offer that is designed for a limited set of Dell accounts purchasing Gen AI computing solutions greater than 1,000 servers and \$250M in sales. PS1 for CSPs improves the entire services experience combining support, deployment (rack integration), residency services, a designated support engineer and the LOIS parts locker as one holistic bundle. Special pricing has been determined to compete effectively against competitors and provide the best customer experience. PS1 for CSPs can only be sold with XE Servers and all networking platforms (Dell and NVIDIA). All other products would be eligible for the standard PS1DC not this special bundle offer. More details on PS1 for CSPs [here](#).

- **Logistics Online Inventory Solution (LOIS)**

Ideal for large organizations that have their own staff to support their data center. Dell offers a service that is called Logistics Online Inventory Solution which is an onsite parts locker that provides self-maintainers with a local inventory of common replacement components. Having access to these parts lockers allows the self-maintainer to replace a failed component immediately without delay. Each replacement part would automatically initiate a replenishment of the parts inventory that is shipped the next day or delivered onsite by Dell during a regular scheduled visit (called Scheduled Onsite Service). As part of the LOIS system, customers can integrate their systems directly to Dell TechDirect using APIs to help streamline the support management process.

End-of-Life Services

- **Post Standard Support (PSS)**

Extend service life beyond the initial seven years of ProSupport, adding up to five more additional years of hardware coverage.

- **Data Sanitization & Data Destruction**

Renders data unrecoverable on repurposed or retired products, ensuring security of sensitive data and enabling compliance and provides NIST-compliant certification.

- **Asset Recovery Services**

Recycle, resale, and disposal of hardware. Helps you securely and responsibly retire IT assets that are no longer needed while protecting both your business and the planet.

ProDeploy Infrastructure Suite

ProDeploy Infrastructure Suite provides various deployment offerings that satisfy a customer's unique needs. It is made up of various sub-offers: Factory Configuration Services, Rack Integration, Basic Deployment, ProDeploy, and ProDeploy Plus.

ProDeploy Infrastructure Suite

Versatile choices for accelerated deployments

NOTE: All XE Series servers require mandatory deployment

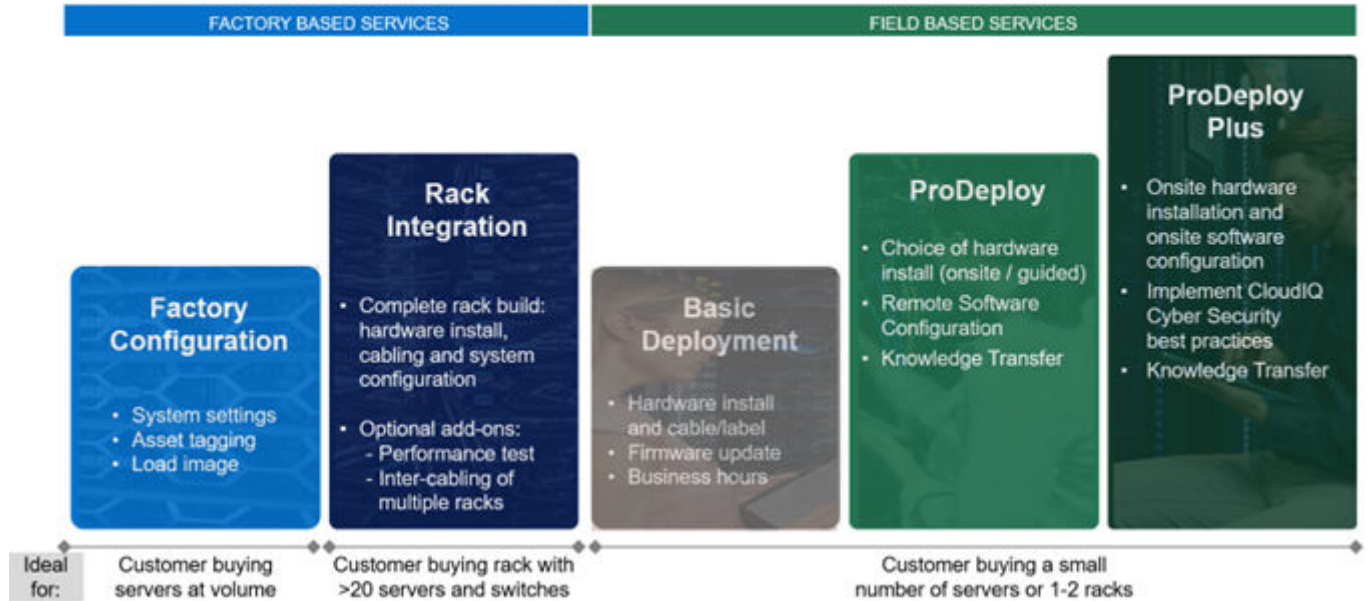


Figure 30. ProDeploy Infrastructure Suite

Factory-based Services

Pre-configured systems or complete racks, customized prior to shipping to the customer's site.

Rack Integration or ProDeploy FLEX Rack Integration

Ideal for customers buying servers in volume and seeking pre-configuration prior to shipping such as: custom image, system settings, and asset tagging so it arrives ready to use out of the box. Furthermore, servers are packaged and bundled to meet specific shipping and distribution requirements for each customer location to facilitate the rollout process. Once the server is onsite, Dell can install and configure the server to the environment using any of the field-based deployment services outlined in the next section.

- STANDARD SKUs for Rack Integration is available in then USA only and requires:
 - 20 or more devices (XE, R and C series servers, VxRail and all Dell or non-Dell switches).
 - Shipping to contiguous USA.
- USE CUSTOM QUOTE for Rack Integration scenarios that require:
 - Any Direct Liquid Cooling (DLC) implementation
 - Shipping to multiple locations or shipment to any country outside USA or shipping outside contiguous USA
 - Air-cooled racks containing less than 20 servers
 - Any rack that includes Storage

Factory Configuration

Ideal for customers buying servers in volume and seeking pre-configuration prior to shipping such as: custom image, system settings, and asset tagging so it arrives ready to use out of the box. Furthermore, servers are packaged and bundled to meet specific shipping and distribution requirements for each customer location to facilitate the rollout process. Once the server is onsite, Dell can install and configure the server to the environment using any of the field-based deployment services outlined in the next section.

ProDeploy Flex | Modular deployment (built in factory, onsite or remote)

Pre -deployment	Single point of contact for project management	●
	Expanded end-to-end project management	Selectable
	Site readiness review and implementation planning	●
Deployment	Deployment service hours	24/7
	Hardware installation options ¹	Onsite, factory ^{2,5} or remote ³
	System software installation and configuration options ¹	Onsite, factory ^{2,5} or remote ³
	Multivendor networking deployment ⁴	Onsite, factory ^{2,5} or remote ³
	Onsite Deployment in remote locations	Selectable
	Onsite Deployment in challenging environments	Selectable
	Onsite Deployment with special site-based protocols or requirements	Selectable
	Install connectivity software based on Secure Connect Gateway technology	●
	Dell NativeEdge Orchestrator deployment	Selectable
	Configure 3 rd party software applications and workloads ⁴	Selectable
Post -deployment	Deployment verification, documentation, and knowledge transfer	●
	Configuration data transfer to Dell support	●
Online collaboration	Online collaborative environment - Planning, managing and tracking delivery process	●

¹ Hardware and Software delivery methods can be independently chosen; selecting Rack integration for software requires hardware Rack integration to also be selected.

² Factory Rack Integration for server and VxRail; includes associated Dell network switches; final onsite rack installation available.

³ Remote hardware option includes project specific instructions, documentation and live expert guidance for hardware installation.

⁴ Select 3rd party multivendor networking and software applications.

⁵ Pair with Field Onsite Hardware service for final installation.

Figure 31. ProDeploy Flex modular services

Field-based services

Put PowerEdge servers to work faster with Dell field-based deployment services. Whether we are deploying one server to one thousand – we have you covered. Dell provides versatile delivery options to fit every budget and operating model.

- **ProDeploy Plus:** Elevate Infrastructure deployments with our most complete service from planning through onsite hardware installation and software configuration including the implementation of cybersecurity best practices. ProDeploy Plus provides the skill and scale that is needed to successfully execute demanding deployments in today's complex IT environments. The deployment starts with a site readiness review and implementation plan. Certified deployment experts perform the software configuration to include setup of leading operating systems and hypervisors. Dell will also configure PowerEdge software tools to include iDRAC and OpenManage system utilities as well as support AIOps platforms: MyService360, TechDirect, and CloudIQ. Unique to ProDeploy Plus, the cybersecurity implementation helps customers understand potential security risks and make recommendations for reducing product attack surfaces. The system is tested, validated prior to completion. The customer will also receive full project documentation and knowledge transfer to complete the process.
- **ProDeploy:** ProDeploy provides remote software configuration and choice of hardware installation (onsite or guided). ProDeploy is great for customers who are price sensitive or willing to participate in some portion of the deployment to include providing remote access to their network. The ProDeploy remote software includes everything mentioned in ProDeploy Plus except it does not include the added value, cybersecurity implementation, and implementation best practices.
- **Basic Deployment:** Basic Deployment delivers worry-free professional installation by experienced technicians. This service is often sold to Competency Enabled Partners who will have Dell do the hardware installation while they complete the software configuration. Furthermore, Basic Deployment tends to be purchased by large enterprises who have smart technical staff. These companies just need Dell to install the hardware, and they will perform the software configuration. The last use case for Basic Deployment is when paired with Factory Configuration services. The servers are preconfigured in the factory, and the basic deployment service will install the system into the rack to finalize the deployment.

ProDeploy Infrastructure Suite | Field services

		Basic Deployment	ProDeploy	ProDeploy Plus
Pre-deployment	Single point of contact for project management	-	●	In region
	Site readiness review and implementation planning	-	●	●
Deployment	Deployment service hours	Business hours	24/7	24/7
	Hardware installation options	Onsite	Onsite or guided ¹	Onsite
	System software installation and configuration options	-	Remote	Onsite
	Install connectivity software based on Secure Connect Gateway technology ²	-	●	●
	Implement CyberSecurity best practices and policies in APEX AIOps Infrastructure Observability	-	-	●
Post-deployment	Deployment verification, documentation and knowledge transfer	-	●	●
	Configuration data transfer to Dell technical support	-	●	●
Online collaboration	Online collaborative platform in TechDirect for planning, managing and tracking delivery	-	●	●

¹ Choose from onsite hardware installation or a guided option including project specific instructions, documentation and live expert guidance

² Post deployment use for intelligent, automated support & insights

Figure 32. ProDeploy Infrastructure Suite - Field services

Supplemental Deployment Services

Additional ways to expand scope or deploy for unique scenarios.

Two Host Adder (requires PD/PDP)

Deploying new storage, compute, or networking devices may require interconnection to other servers (also called hosts). The Dell delivery team will set up four hosts per device as part of every ProDeploy service. For example, if the customer is buying two storage arrays the ProDeploy service will automatically include connectivity of four hosts each (4x2=8 total hosts per project since there are two devices). This supplemental "Two Host Adder" service provides for the configuration of additional hosts above what is already provided as part of the ProDeploy service. In many cases, customers can work with us while we set up the included hosts, so they may understand how to do the rest themselves. Always ask the customer how many hosts are being connected and sell the host adder depending on the customer's technology skillset. Note that this service applies to the connectivity of Dell devices not 3rd party devices.

Additional Deployment Services (ADT) – sold with or without PD/PDP

You can expand the scope of a ProDeploy engagement leveraging Additional Deployment Time (ADT). ADT covers additional tasks above the normal deliverables of the ProDeploy offers. ADT can also be used as a standalone service without ProDeploy. SKUs are available for both Project Management and Technical Resource Expertise. SKUs are sold as blocks of four hours remote or eight hours onsite. The delivery team can help in scoping the number of hours required for additional tasks.

Data Migration Services

Migrating data sets is no easy task. Our experts use proven tools and process to streamline data migrations and avoid compromising data. A customer project manager works with our experienced team of experts to create a migration plan. Data migration is part of every technology upgrade, platform change, and shift to the cloud. You can rely on Dell data migration services to perform a seamless transition.

Residency Services

Certified technical professionals act like an extension of your IT staff to enhance internal capabilities and resources and help you realize faster adoption and maximized ROI of new technology. Residency Services help customers transition to new capabilities quickly by leveraging specific technology skill sets. Residency experts can provide post implementation management and knowledge transfer that is related to a new technology acquisition or day-to-day operational management of the IT infrastructure.

- Global experts available to serve in-person (onsite) or virtual (remote)
- Engagements starting at 2 weeks with flexibility to adjust
- Residency is available for project management needs, and many different technology skills sets such as: Server, storage, Gen AI, networking, security, multi-cloud, data mgmt., and modern workforce application residents

Unique Deployment Scenarios

Custom Deployment Services

When a deployment is beyond the scope of the ProDeploy Infrastructure Suite, you can turn to the custom deployment services team to address complex implementation scenarios and customer unique requirements. The Dell custom deployment team is staffed with solution architects who will assist with customer scoping calls to define the project and develop the statement of work. Custom services can handle a wide range of deployments that can be performed in the factory or onsite. All custom engagement services are requested through SFDC.

Deployment of AI or HPC

Dell provides a number of deploy options for Artificial Intelligence (AI) or High-Performance Computing (HPC) implementations. These complex environments require specialists that understand advanced feature sets. Dell deploys and understands the complexities to optimize the environment. AI and HPC deployments are always scoped as custom service engagements.

Implementation choices for AI deployment

Approaches, Best Practices, and Key Considerations


Custom deploy	GOOD	BETTER	BEST	
	Baseline Cluster Configuration	Custom Deploy of Fabric and Cluster	Design and Architect AI Strategy & Deploy	
Scope				
Develop AI network strategy			•	
Infrastructure Assessment		•	•	
Review system & network designs and cabling plan	•	•	•	
Install servers and switches		•	•	
Inter-rack cabling & labeling		•	•	
Configure servers & switches	•	•	•	
Cluster configuration	•	•	•	
Acceptance testing, validation and simulation	•	•	•	
Ideal for	Customers who need assistance with software configuration only after they deploy the hardware	Customers who have a solid AI strategy and will outsource the implementation to Dell	Customers seeking design strategy for GPU optimization, scaling, and connectivity with full deployment	

Figure 33. Deployment of AI or HPC

DAY 2 – Automation Services with Ansible

Dell solutions are built as “automation ready” with integrated APIs (Application Programming Interfaces) to allow customers to programmatically call actions on the product through code. Although Dell has published Anisble automation use cases,


some customers need additional assistance with GitOps. By the end of the service, the customer will have the foundational components required to accelerate automation and understand how the programming works together: Day 1 and Day 2 use case automation scripts (ansible modules), CI/CD tool (Jenkins), and Version control (Git).

Dell Technologies Consulting Services

Our expert consultants help customers transform faster, and quickly achieve business outcomes for the high-value workloads Dell PowerEdge systems can handle. From strategy to full-scale implementation, Dell Technologies Consulting can help determine how to perform IT, workforce, or application transformation. We use prescriptive approaches and proven methodologies that are combined with the portfolio and partner ecosystem of Dell Technologies to help achieve real business outcomes. From multicloud, applications, DevOps, and infrastructure transformations, to business resiliency, data center modernization, analytics, workforce collaboration, and user experiences-we are here to help.

Dell Managed Services

Some customers prefer Dell to manage the complexity and risk of daily IT operations, Dell Managed Services utilizes proactive, AI enabled delivery operations and modern automation to help customers realize desired business outcomes from their infrastructure investments. With these technologies, our experts run, update, and fine-tune customer environments that are aligned with service levels, while providing environment-wide and down-to-the-device visibility. There are two types of managed service offers. First the outsourcing model or CAPEX model where Dell manages the customer owned assets using our people and tools. The second is the as-a-Service model or OPEX model called APEX. In this service, Dell owns all technology and all the management of it. Many customers will have a blend of the two management types depending on the goals of the organization.

Managed	Outsourcing or CAPEX model	APEX	as-a-Service or OPEX model
<p>We manage your technology using our people and tools.¹</p> <ul style="list-style-type: none"> • Managed detection and response* • Technology Infrastructure • End-user (PC/desktop) • Service desk operations • Cloud Managed (Pub/Private) • Office365 or Microsoft Endpoint 		<p>We own all technology so you can off-load all IT decisions.</p> <ul style="list-style-type: none"> • APEX Cloud Services • APEX Flex on Demand elastic capacity • APEX Data Center Utility pay-per-use model 	

1 – Some minimum device counts may apply. Order via: ClientManagedServices.sales@dell.com

* Managed detection and response covers the security monitoring of laptops, servers, & virtual servers. Min. 50 devices combined. No Networking or Storage-only systems [SAN/NAS]. Available in 32 countries. [Details here](#)

Figure 34. Dell Managed Services

Managed Detection and Response (MDR)

Dell Technologies Managed Detection and Response (MDR) is powered by Secureworks Taegis XDR software platform. MDR is a managed service that secures the customer’s IT environment against malicious actors and provides remediation if and when a threat is identified. When a customer purchases MDR, they will receive the following features from our team:

- Dell badge resources
- Agent rollout assistance to help deploy the Secureworks Endpoint Agent
- 24x7 threat detection and investigation
- Up to 40 hrs per quarter of response and active remediation activities
- If the customer experiences a breach, we will provide up to 40 hrs per year of Cyber incident response initiation
- Quarterly reviews with the customer to review the data

Dell Technologies Education Services

Build the IT skills required to influence the transformational outcomes of the business. Enable talent and empower teams with the right skills to lead and perform transformational strategy that drives competitive advantage. Leverage the training and certification that is required for real transformation.

Dell Technologies Education Services offers PowerEdge server training and certifications that are designed to help customers achieve more from their hardware investment. The curriculum delivers the information and the practical, firsthand skills that their team must confidently install, configure, manage, and troubleshoot Dell servers.

To learn more or register for a class today, see [Education.Dell.com](https://www.dell.com/education).

Resources

[Service for powerEdge](#)